

D

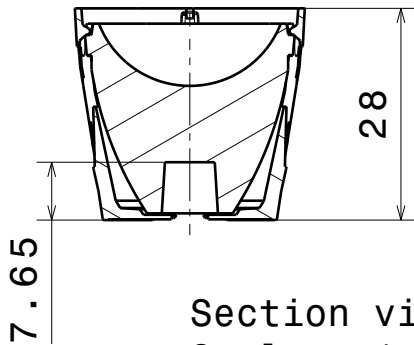
C

B

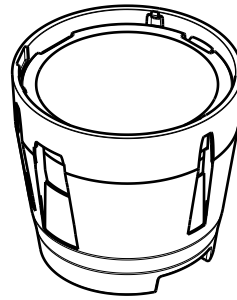
A

4

4



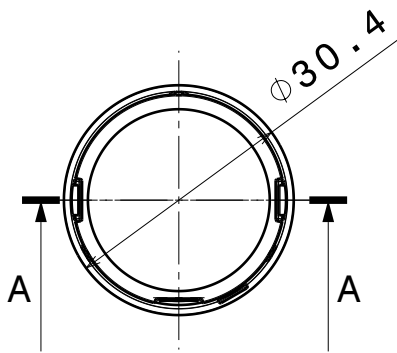
Section view A-A
Scale: 1:1



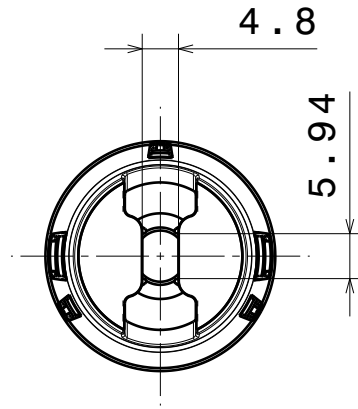
Isometric view
Scale: 1:1

3

3



Front view
Scale: 1:1



Rear view
Scale: 1:1

2

2

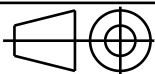
INDEX	PART NO	DESCRIPTION	MATERIAL	COLOUR
1	C10399	RGBX-0-SMT-HLD	PC	black
2	C10542	RGBX-SS	PMMA	

Tolerances if not otherwise shown
According to DIN ISO 2768-1
Linear measures:
Up to 30mm class M, otherwise class C.
According to DIN ISO 2768-2
Form and position: class L



Ledil Oy
Salorankatu 10
FIN 24240 SALO
Finland

THIRD ANGLE PROJECTION:



DRAWING TITLE

CP10960_RGBX-SS

This drawing is the property
of LEDiL Oy. It may not be
reproduced, copied or
communicated without a written
agreement with LEDiL Oy.

SIZE PART NUMBER

A4

CP10960

SCALE 1:1 WEIGHT 12,6 g SHEET 1/1

1

1

D

A