

D

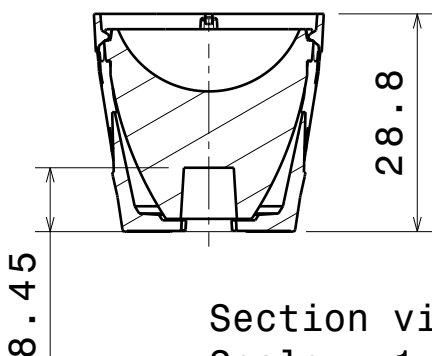
C

B

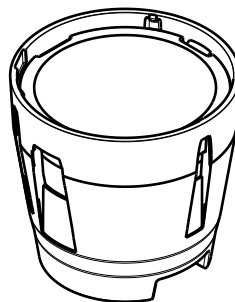
A

4

4



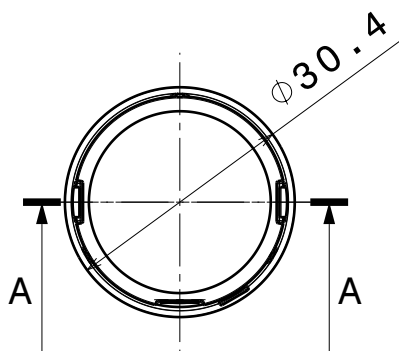
Section view A-A  
Scale: 1:1



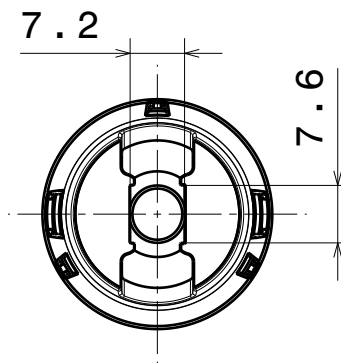
Isometric view  
Scale: 1:1

3

3



Front view  
Scale: 1:1



Rear view  
Scale: 1:1

2

2

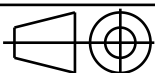
INDEX	PART NO	DESCRIPTION	MATERIAL	COLOUR
1	C10548	RGBX-MC-HLD	PC	black
2	C10542	RGBX-SS	PMMA	

Tolerances if not otherwise shown  
According to DIN ISO 2768-1  
Linear measures:  
Up to 30mm class M, otherwise class C.  
According to DIN ISO 2768-2  
Form and position: class L

**LEDiL**

Ledil Oy  
Salorankatu 10  
FIN 24240 SALO  
Finland

THIRD ANGLE PROJECTION:



DRAWING TITLE

CP10961\_RGBX-SS

This drawing is the property  
of LEDiL Oy. It may not be  
reproduced, copied or  
communicated without a written  
agreement with LEDiL Oy.

SIZE PART NUMBER

A4

CP10961

SCALE 1:1 WEIGHT 11,6 g SHEET 1/1

1

1

D

A