



● FEATURES

- ❖ 3 Optional dimming(0-10V / PWM / Resistance)
- ❖ Universal AC input/Full range(100-277VAC)
- ❖ Protections: Short circuit / Overload / Over voltage / Over temperature
- ❖ Built_in active PFC function
- ❖ Fully encapsulated with IP67 level
- ❖ UL60950 Class 2 power unit, pass LPS
- ❖ Cooling by free air convection
- ❖ 100% full load burn-in test
- ❖ High reliability
- ❖ Suitable for LED lighting and moving sign applications
- ❖ Compliance to worldwide safety regulations for lighting
- ❖ Damp / wet location outdoor application

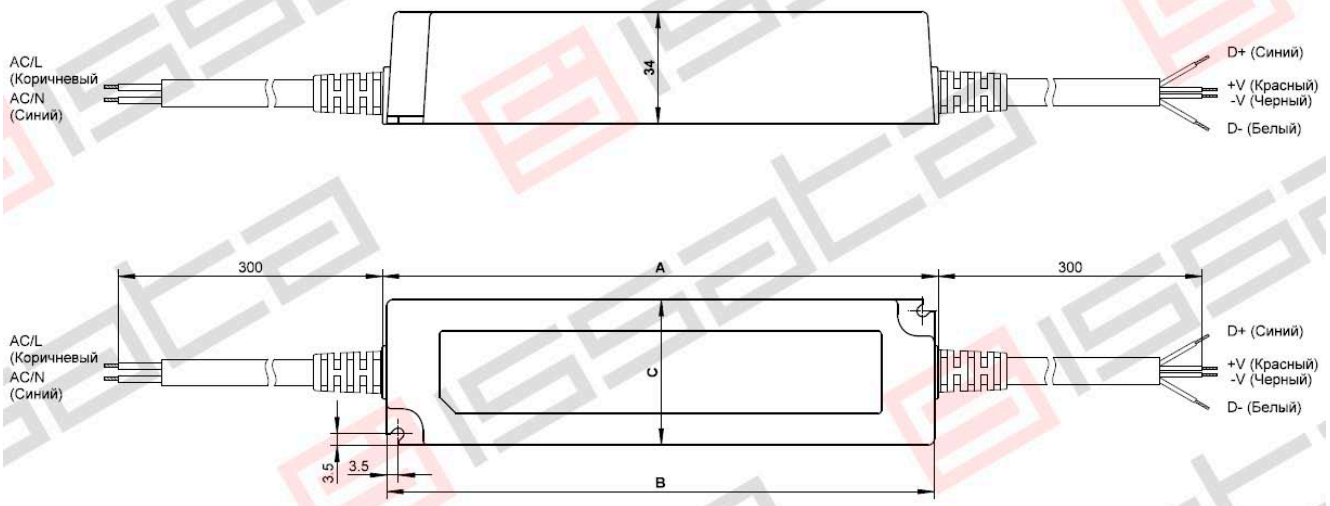
● SPECIFICATION

MODEL		IS 25DP-350	IS 25DP-700	IS 25DP-1050
OUTPUT	DC VOLTAGE	72V	36V	24V
	CONSTANT CURRENT REGION	44~72V	22~36V	15~24V
	RATED CURRENT	350mA	700mA	1050mA
	RATED POWER	25.2W	25.2W	25.2W
	RIPPLE & NOISE (max.)	5Vp-p	3Vp-p	3Vp-p
	CURRENT RIPPLE	<15%	<15%	<15%
	VOLTAGE TOLERANCE	±3.0%		
	LINE REGULATION	±1.0%		
	LOAD REGULATION	±2.0%		
	SETUP,RISE TIME	1000ms, 80ms / 230VAC 1000ms, 80ms / 115VAC at full load		
HOLD UP TIME (Typ.)	60ms / 230VAC	30ms / 115VAC at full load		
INPUT	VOLTAGE RANGE	100 - 277VAC		
	FREQUENCY RANGE	47~63Hz		
	POWER FACTOR	PF>0.95/230VAC PF>0.99/115VAC at full load PF≥0.9 at 75 ~ 100% load, 115VAC / 230VAC		
	EFFICIENCY(Typ.)	86%	85%	84%
	AC CURRENT(at full load)	0.65A / 115VAC 0.35A / 230VAC		
	INRUSH CURRENT (max.)	COLD START 65A/230VAC		
	LEAKAGE CURRENT	<2mA / 240VAC		
PROTECT ON	OVER CURRENT	95 ~ 108% Protection type : Constant current limiting, recovers automatically after fault condition is removed		
	SHORT CIRCUIT	Hiccup mode, recovers automatically after fault condition is removed		
	OVER VOLTAGE	80~95V	42~52V	30~36V
		Protection type : Shut down o/p voltage, re-power on to recover		

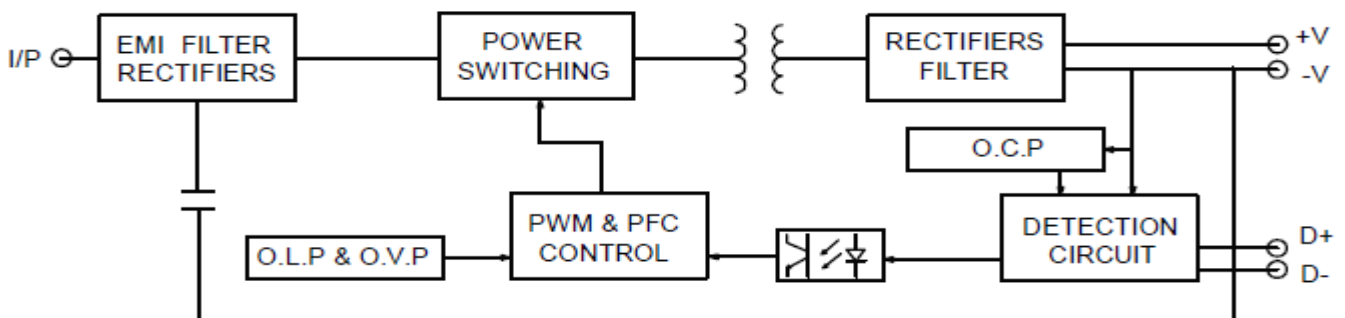
	OVER TEMPERATURE	Tj 140°C typically(IC1) Detect on main control IC
		Protection type : Shut down o/p voltage, recovers automatically after temperature goes down
ENVIRONMENT	WORKING TEMP.	-30 ~ +60°C @ full load ; +90°C @ 60% load
	WORKING HUMIDITY	20~95% RH non-condensing
	STORAGE TEMP., HUMIDITY	-40~80°C, 10~95% RH
	TEMP.COEFFICIENT	±0.03%/°C (0~50°C)
	VIBRATION	10 ~ 500Hz, 5G 12min./1cycle, period for 72min. each along X, Y, Z axes
SAFETY & EMC	SAFETY STANDARDS	Design refer to EN61347-1, EN61347-2-13, meet IP67
	WITHSTAND VOLTAGE	I/P-O/P:3.0KVAC
	ISOLATION RESISTANCE	I/P-O/P:>100M Ohms / 500VDC / 25~70% RH
	EMC	Design refer to EN55015,EN61000-3-2,EN61000-3-3,EN61547
	MTBF	≥400KHours (25°C)
	DIMENSION	138*43*34mm (Ø*H)

● **MECHANICAL SPECIFICATION**

NOTE:AC Input line can be increased FG (GREEN & YELLOW) line

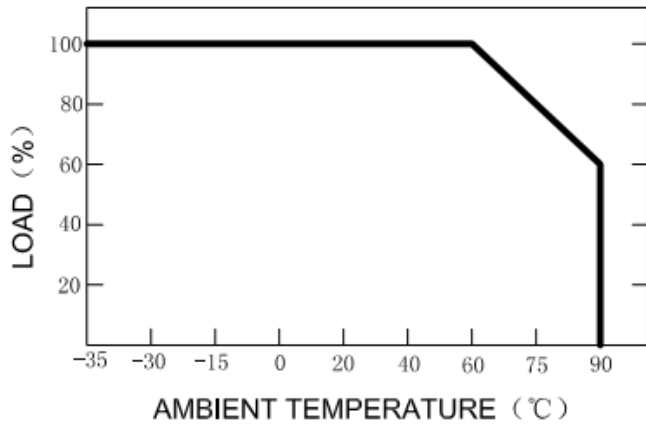


● **BLOCK DIAGRAMM**

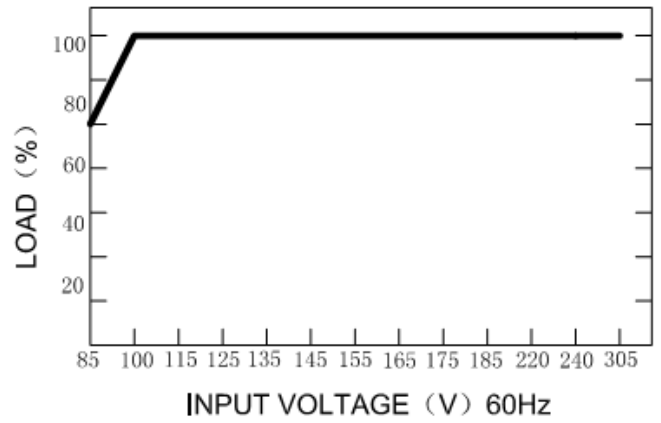


● CHARACTERISTIC DIAGRAM

LOAD & TEMPERATURE FEATURE

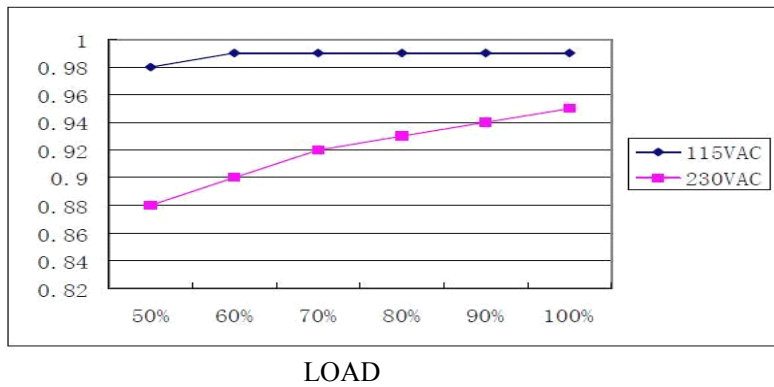


LOAD & AC INPUT VOLTAGE



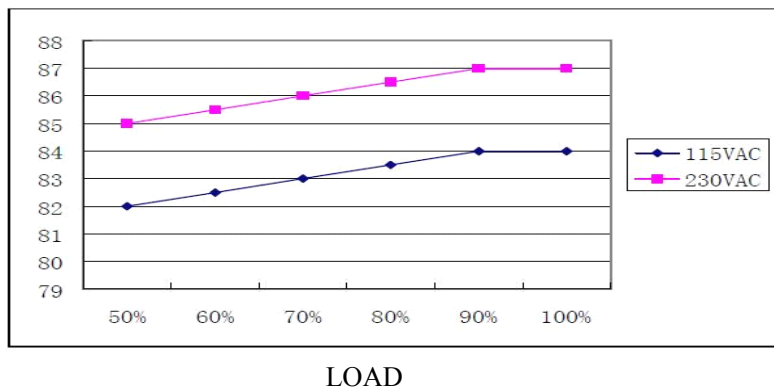
LOAD & POWER FACTOR

PF



LOAD & EFFICIENCY

Eff.(%)



● DIMMER OPERATION



NOTE: Connected a resistor or 0~10V DC voltage or 10V PWM signal between D+ and D- ,LED Driver can output constant current.

Adjust the value of the resistance value (Typical value)

Resistor value	0	10KΩ	20KΩ	30KΩ	40KΩ	50KΩ	60KΩ	70KΩ	80KΩ	90KΩ	100KΩ	OPEN
LED current	0%	10%	20%	30%	40%	50%	60%	70%	80%	90%	100%	100%

0~10V DC voltage (Typical value)

0~10V	0V	1V	2V	3V	4V	5V	6V	7V	8V	9V	10V	OPEN
LED current	0%	10%	20%	30%	40%	50%	60%	70%	80%	90%	100%	100%

10V PWM signal (Typical value)

Frequency range: >10KHz

PWM signal	0%	10%	20%	30%	40%	50%	60%	70%	80%	90%	100%	OPEN
LED current	0%	10%	20%	30%	40%	50%	60%	70%	80%	90%	100%	100%