

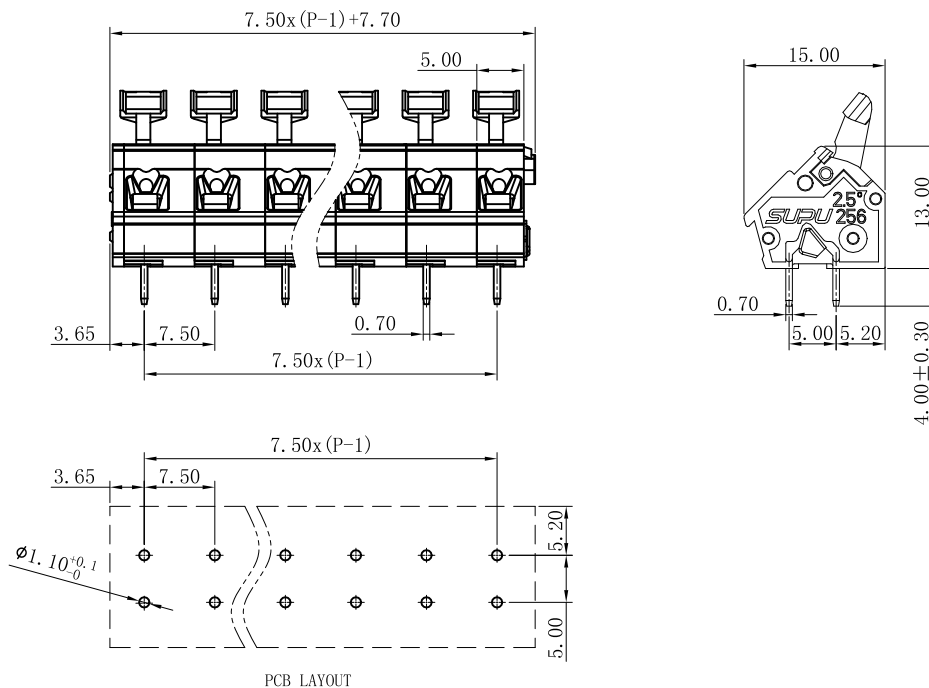


宁波速普电子有限公司

NINGBO SUPU ELECTRONICS.CO.,LTD

产品规格书

Product Specification



IEC 额定数据/IEC Rated data			
接线范围/Wire range	0.2-2.5mm ²		
单股导线/Solid	0.2-2.5mm ²		
软导线/Stranded	0.2-2.5mm ²		
带端头软导线/Stranded with ferrules without plastic sleeve	0.2-1.5mm ²		
带预绝缘端头软导线/Stranded with ferrules with plastic sleeve	0.2-1.5mm ²		
剥线长度/Strip length	5-6mm		
过电压等级/Overtoltage level	III	III	II
污染等级/Pollution level	3	2	2
额定电压/Rated voltage	320V	320V	630V
额定脉冲耐受电压/Rated surge voltage	4KV	4KV	4KV
额定电流/Rated current	24A	24A	24A
UL 额定数据/UL Rated data			
额定电流/Rated current	20A	-	10A
额定电压/Rated voltage	300V	-	300V
接线范围/Wire range	28-12 AWG		
其他信息/Other information			
塑件/Housing	PA66		
触点材料/Contact	铜合金/Copper alloy		
镀层/Coating	锡/Sn plated		
阻燃等级/Flame retardant rating	UL94 V-0		
使用环境温度/Usage ambient temperture	-40℃ - +105℃		
储存及运输环境温度/Strrage ambient temperature	-40℃ - +85℃		
认证/Approval			

订货信息 Order Info

订货号 PART NUMBER	通道数 NO. OF POS	颜色 COLOR	Pitch Range In mm							Nominal Dimension Range In mm			0.1/10						
2564xx	2-24	灰色 Gray	TO 6	Over 6 TO 10	Over 10 TO 24	TO 30	Over 30 TO 60	Over 60 TO 100	Over 100 TO 150	Over 150	±0.15	±0.20	±0.30	±0.30	±0.50	±0.70	±1.00	±1.30	±2°
2564xx/002		橙色 Orange																	
2564xx/003		红色 Red																	
2564xx/004		蓝色 Blue																	
2564xx/005		黄色 Yellow																	
2564xx/006		绿色 Green																	
2564xx/008		白灰色 Light Gray																	

	Rev. 02	Name
单位/Unit mm		2564xx系列PCB电路板用组合端子排 2564xx Series PCB terminal block with spring-cage connection