

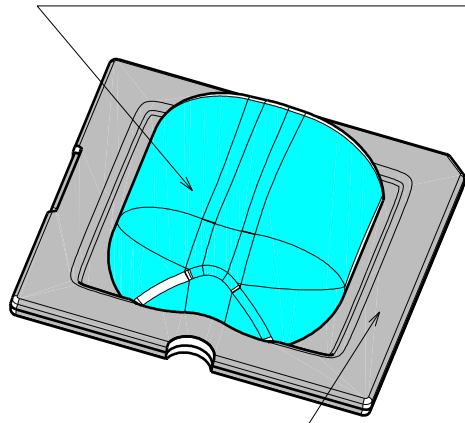
D

C

B

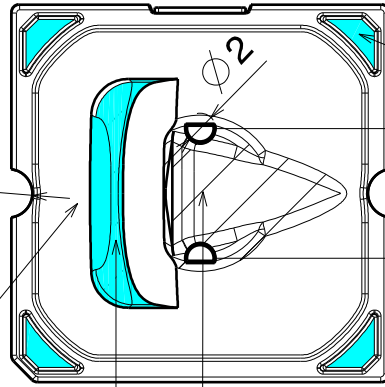
A

VDI15 with firm texture polishing



Grey top areas:
VDI26

Isometric view
Scale: 2:1



Corners VDI26

Marking: 1889
(not on tape
area)

Bottom view

Hatchet surface:
VDI12 with firm texture
polishing

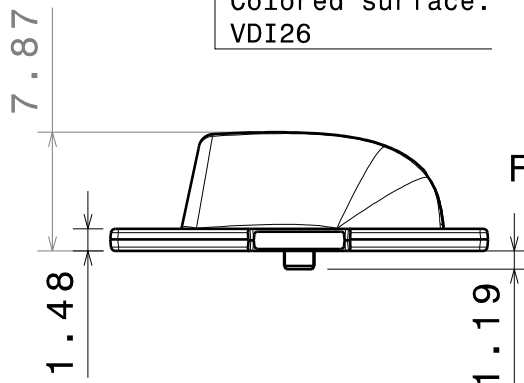
Colored surface:
VDI26

4

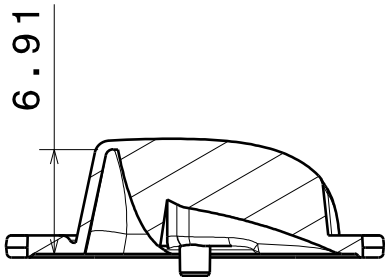
4

3

3

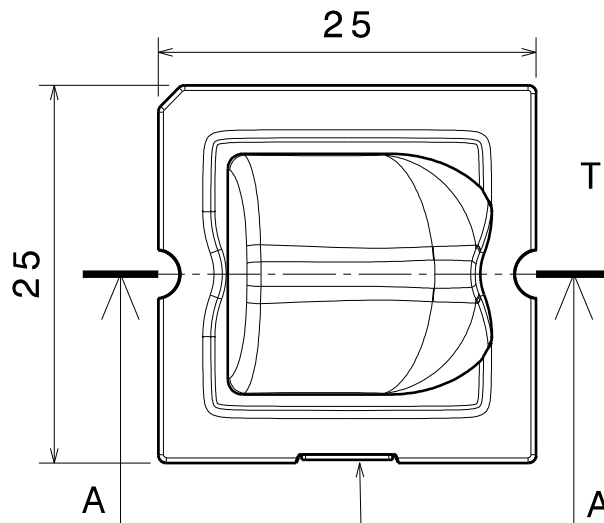


Front view



Section view A-A

6.91



Top view

A

A

Injection gate

Material: PMMA
Tolerances:
Dimensions +/- 0,1 if not otherwise shown.
Control for SPC marked dimensions.

This drawing is our property.
It can't be reproduced
or communicated without
our written agreement.



Ledil Oy
Tehdaskatu 13
FIN-24100 SALO
Finland

DRAWING TITLE

Drawing Strada-SQ-T-DN-XM-L Lens

DRAWN BY
mav

DATE
23.12.2010

CHECKED BY
tk

DATE
23.12.2010

SIZE
A4

DRAWING NUMBER

C11889

REV
1

DESIGNED BY
hh

DATE
15.10.2010

SCALE 2:1 WEIGHT (g)

SHEET 1/1

D

A

1

1