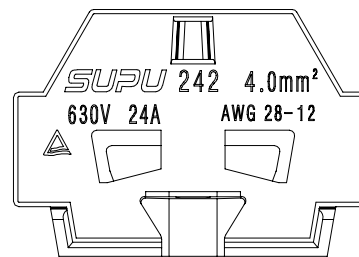
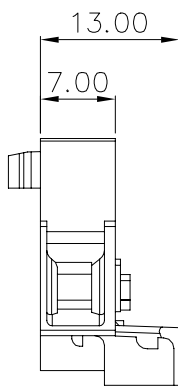
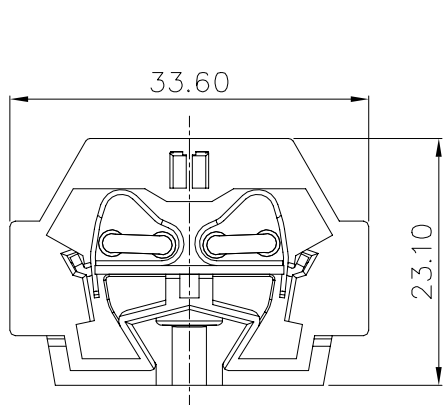
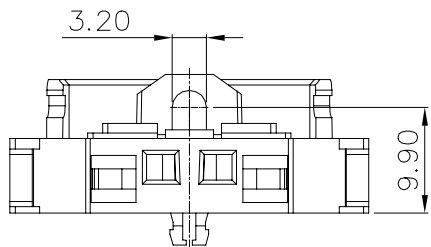


Transmittal, reproduction, dissemination and/or editing of this document as well as utilization of its contents and communication thereof to others without express authorization are prohibited.

未经允许禁止传输、复制或、编辑该文档，以及利用其内容进行交流

REVISION RECORD				
REV	ECN	DESCRIPTION	DRFT	DATE



HOW TO ORDER:

24230X

Series No.

Color:
 1: Grey
 2: Orange
 3: Red
 4: Blue
 5: Yellow
 6: Green
 9: Pink
 7: Yellow Green

订货号 PART NUMBER	物料号 Item	颜色 COLOR
242301	411061401	灰色 Grey
242302	411061402	橙色 Orange
242303	411061403	红色 Red
242304	411061404	蓝色 Blue
242305	411061405	黄色 Yellow
242306	411061406	绿色 Green
242309	411061409	粉红色 Pink
242307	411061407	黄绿色 Yellow Green

NOTES:

UL/CUL Standard

1. Conductor cross section : 28~12AWG
2. Rated Voltage/Current :

Use group	B	C	D
Rated voltage(V)	300	300	
Rated current(A)	20	20	

Material:

Insulator	PA66	UL94 V-0
Conductor	Copper alloy	Sn Plated
Spring	Stainless Steel	

Connection method:

1. For Solid wire, peeling wire in right length, push down spring to clap the wire.
2. For stranded wire, connect directly after peeling in right length, or wire furrled and fix in by pushing the spring.

IEC Standard

1. Conductor cross section :

Wire range(Solid/Stranded)	0.2-4.0mm ²
Solid	0.2-4.0mm ²
Stranded	0.2-4.0mm ²
Stranded with ferrules without plastic sleeve	0.2-2.5mm ²
Stranded with ferrules with plastic sleeve	0.2-2.5mm ²

2. Rated Voltage/Current :

Surge voltage category	III
Pollution degree	3
Rated surge voltage(KV)	8
Rated voltage(V)	630
Rated current(A)	24

General information:

1. Dimension shall be interpreted per ASME Y14.5-2009
2. Stripping length : 9~10mm
3. Operating temperature: -40°C~+105°C
4. RoHS Compliance
5. Undimensioned Tolerances:

Pitch Range In mm		Nominal Dimension Range In mm					—	∠
TO	Over	TO	Over	TO	Over	TO	Over	
6	10	10	30	30	60	60	100	150
10	24	30	60	100	150	150	150	
±0.15	±0.20	±0.30	±0.30	±0.50	±0.70	±1.00	±1.30	±2'

借通用件登记
Common Part

原图号
Old Draw. No.

底图总号
Assembly No.

订货号 Order No.	24230X		名称 Name	242端子-侧面带固定器 01P-2线-4.0mm ²	未注公差 Tolerance	表面 Surface	
项目 Item	签字 Signature	日期 Date	图号 Drawing No.	PRM000612	Tolerances Table		VDI21
设计 Design	SZ	05/18/23	材料 Material	Notes	版本号 Revision Number	重量 Weight	比例 Scale
审核 Check	LXW	05/18/23	物料号 Item No.		MO	/	1:1
工艺 Process	-	-	见附表		第1页/共1页 1 of 1		mm
标准化 Unify	-	-			SUPU 宁波速普电子有限公司 NINGBO SUPU ELECTRONICS CO., LTD.		
批准 Approve	XJ	05/18/23					

1

2

3

4

5

6

7

8