

D

C

B

A

4

4

Tape

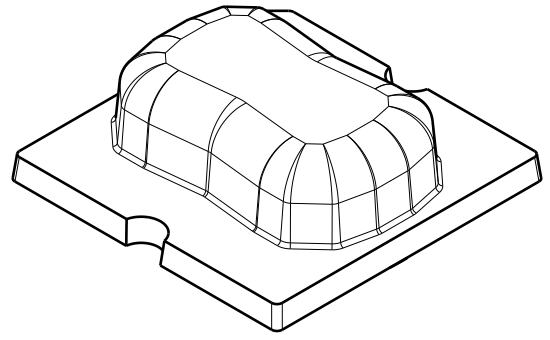
∅2

25.4  
c/c

21.52

Bottom view

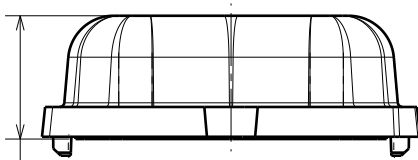
c/c



Isometric view

3

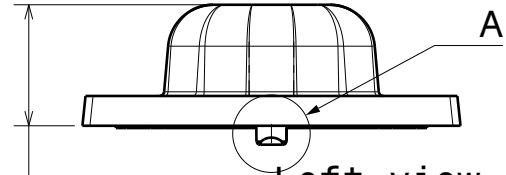
3



Front view

8.15

with tape



Left view

8

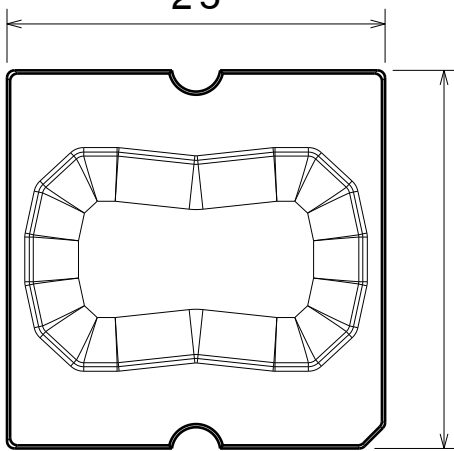
w/o tape

A

2

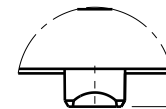
2

25



25

Top view



Detail A

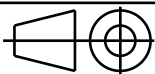
1.25

Tolerances if not otherwise shown  
According to DIN ISO 2768-1  
Linear measures:  
Up to 30mm class M, otherwise class C.  
According to DIN ISO 2768-2  
Form and position: class L

LEDiL

Ledil Oy  
Salorankatu 10  
FIN 24240 SALO  
Finland

THIRD ANGLE PROJECTION:



DRAWING TITLE

Datasheet STRADA-SQ-FS2

This drawing is the property  
of LEDiL Oy. It may not be  
reproduced, copied or  
communicated without a written  
agreement with LEDiL Oy.

SIZE

PART NUMBER

A4

-

SCALE

2:1

WEIGHT

-

SHEET

1/1

D

A

1