

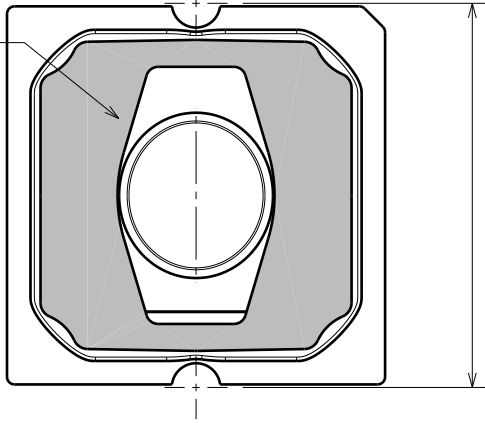
D

C

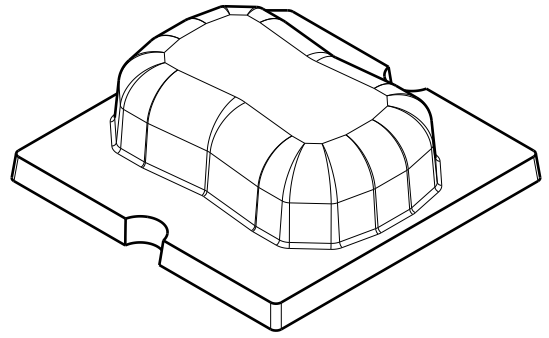
B

A

Tape

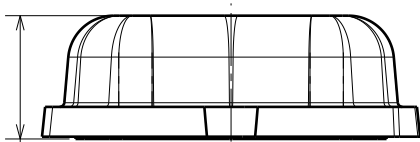


25.4
c / c



Isometric view

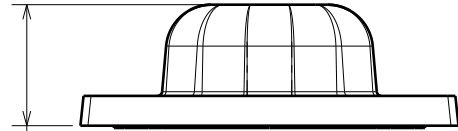
Bottom view



8.15

Front view

with tape

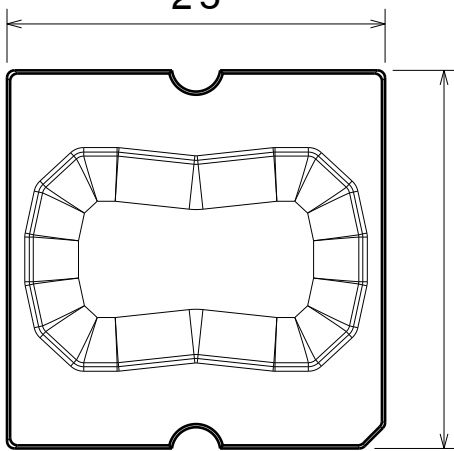


8

Left view

w/o tape

25



25

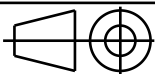
Top view

Tolerances if not otherwise shown
 According to DIN ISO 2768-1
 Linear measures:
 Up to 30mm class M, otherwise class C.
 According to DIN ISO 2768-2
 Form and position: class L

LEDiL

Ledil Oy
 Salorankatu 10
 FIN 24240 SALO
 Finland

THIRD ANGLE PROJECTION:



DRAWING TITLE

Datasheet STRADA-SQ-FS2-NP

This drawing is the property
 of LEDiL Oy. It may not be
 reproduced, copied or
 communicated without a written
 agreement with LEDiL Oy.

SIZE

A4

PART NUMBER

-

SCALE

2:1

WEIGHT

-

SHEET

1/1

D

A