

## STRADA-SQ-FS3-NP

Forward throw beam optimized for European tunnels, resulting extremely efficient lighting with counter-beam method. Version without location pins. Assembly with installation tape.

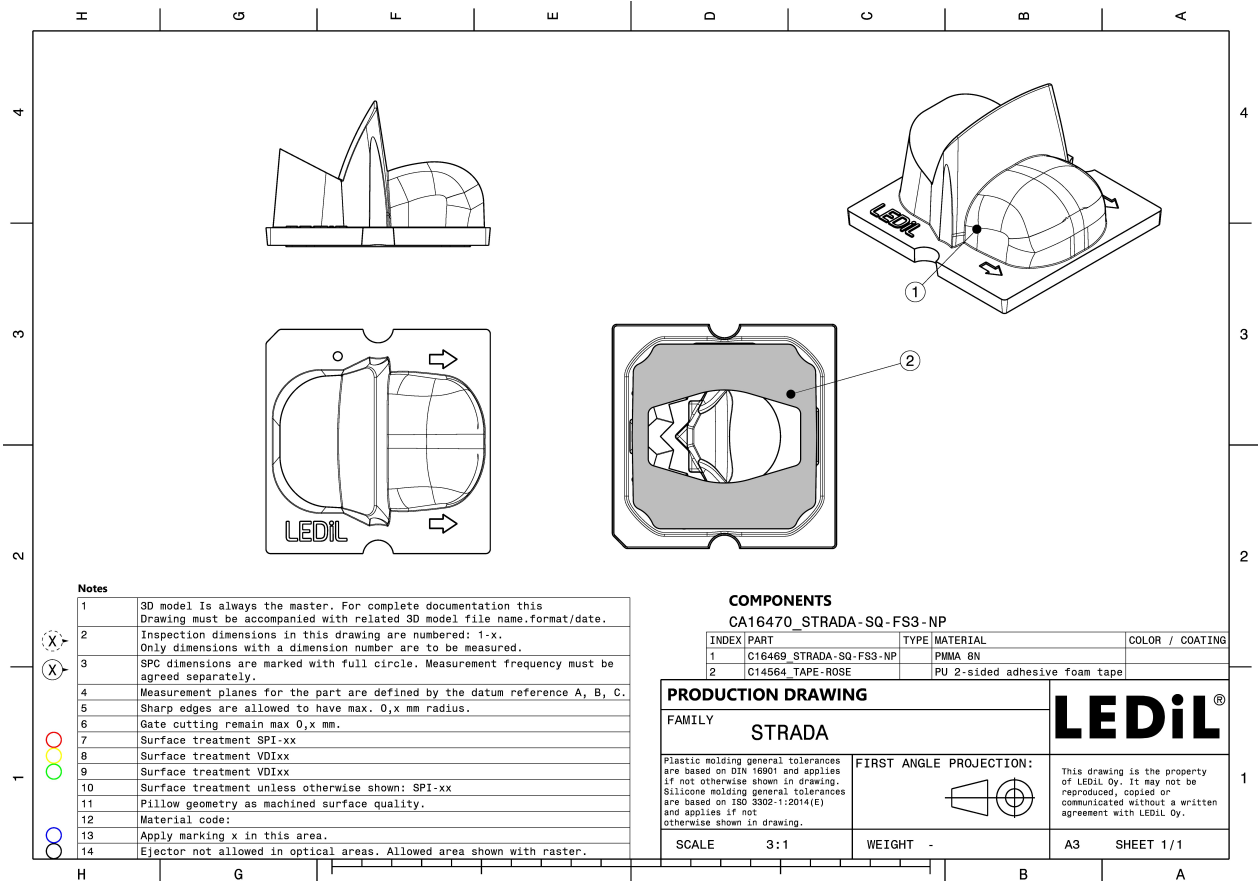
### TECHNICAL SPECIFICATIONS:

Dimensions	25.0 mm
Height	16.3 mm
Fastening	tape
Colour	clear
Box size	480 x 280 x 300 mm
Box weight	7.7 kg
Quantity in Box	1470 pcs
ROHS compliant	yes ⓘ



### MATERIAL SPECIFICATIONS:

Component	Type	Material	Colour
STRADA-SQ-FS3-NP	Single lens	PMMA	clear
ROSE-TAPE	Tape	PU tape	black



**Notes**

1	3D model is always the master. For complete documentation this drawing must be accompanied with related 3D model file name.format/date.
2	Inspection dimensions in this drawing are numbered: 1-x. Only dimensions with a dimension number are to be measured.
3	SPC dimensions are marked with full circle. Measurement frequency must be agreed separately.
4	Measurement planes for the part are defined by the datum reference A, B, C.
5	Sharp edges are allowed to have max. 0,1 mm radius.
6	Gate cutting remain max 0,1 mm.
7	Surface treatment SPI-xx
8	Surface treatment VDIxx
9	Surface treatment VDIxx
10	Surface treatment unless otherwise shown: SPI-xx
11	Pillow geometry as machined surface quality.
12	Material code:
13	Apply marking x in this area.
14	Ejector not allowed in optical areas. Allowed area shown with raster.

**COMPONENTS**

CA16470\_STRADA-SQ-FS3-NP

INDEX	PART	TYPE	MATERIAL	COLOR / COATING
1	C16469_STRADA-SQ-FS3-NP		PMMA BN	
2	C14564_TAPE-ROSE		PU 2-sided adhesive foam tape	

**PRODUCTION DRAWING**

FAMILY STRADA

Plastic molding general tolerances are based on DIN 16901 and applies if not otherwise shown in drawing. Silicone molding general tolerances are based on ISO 3302-1:2014(E) and applies if not otherwise shown in drawing.

FIRST ANGLE PROJECTION:



**LEDiL®**

This drawing is the property of LEDiL Oy. It may not be reproduced, copied or communicated without a written agreement with LEDiL Oy.

SCALE 3:1

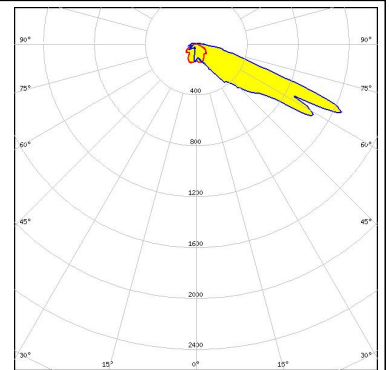
WEIGHT -

A3 SHEET 1/1

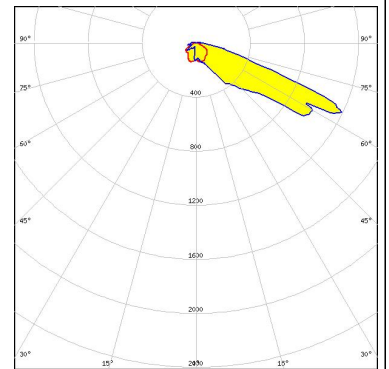
#### PHOTOMETRIC DATA (MEASURED):



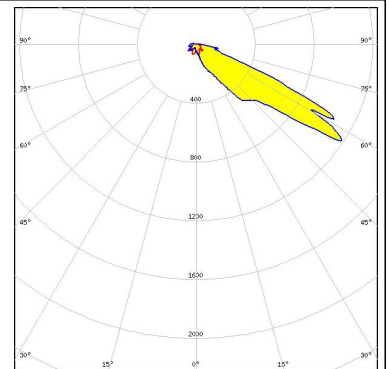
LED MK-R  
 FWHM Asymmetric  
 Efficiency 87 %  
 Peak intensity 1.300 cd/lm  
 LEDs/each optic 1  
 Light colour White  
 Required components:



LED LUXEON M/MX  
 FWHM Asymmetric  
 Efficiency 90 %  
 Peak intensity 1.200 cd/lm  
 LEDs/each optic 1  
 Light colour White  
 Required components:



LED LUXEON MZ  
 FWHM Asymmetric  
 Efficiency 90 %  
 Peak intensity 2.400 cd/lm  
 LEDs/each optic 1  
 Light colour White  
 Required components:

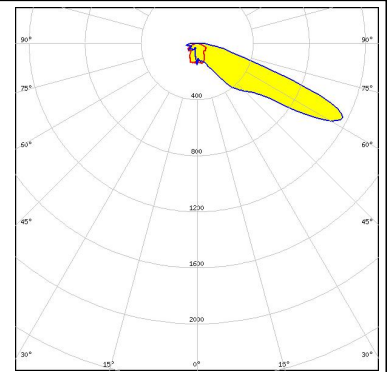


LED Duris S10  
 FWHM Asymmetric  
 Efficiency 86 %  
 Peak intensity 1.100 cd/lm  
 LEDs/each optic 1  
 Light colour White  
 Required components:

#### PHOTOMETRIC DATA (SIMULATED):



LED XHP50.2  
FWHM Asymmetric  
Efficiency 87 %  
Peak intensity 1.210 cd/lm  
LEDs/each optic 1  
Light colour White  
Required components:



LED XHP50.2  
FWHM Asymmetric  
Efficiency 80 %  
Peak intensity 1.060 cd/lm  
LEDs/each optic 1  
Light colour White  
Required components:



LED XHP70  
FWHM Asymmetric  
Efficiency 77 %  
Peak intensity 0.910 cd/lm  
LEDs/each optic 1  
Light colour White  
Required components:



LED XM-L2  
FWHM Asymmetric  
Efficiency 88 %  
Peak intensity 2.000 cd/lm  
LEDs/each optic 1  
Light colour White  
Required components:

#### PHOTOMETRIC DATA (SIMULATED):

#### **CREE**

LED XT-E  
FWHM Asymmetric  
Efficiency 87 %  
Peak intensity 2.500 cd/lm  
LEDs/each optic 1  
Light colour White  
Required components:

#### **LUMILEDS**

LED LUXEON M/MX  
FWHM Asymmetric  
Efficiency 73 %  
Peak intensity 1.100 cd/lm  
LEDs/each optic 1  
Light colour White  
Required components:

#### **OSRAM**

Opto Semiconductors

LED OSCONIQ P 7070  
FWHM Asymmetric  
Efficiency 85 %  
Peak intensity 1.370 cd/lm  
LEDs/each optic 1  
Light colour White  
Required components:

#### **OSRAM**

Opto Semiconductors

LED OSCONIQ P 7070  
FWHM Asymmetric  
Efficiency 94 %  
Peak intensity 1.420 cd/lm  
LEDs/each optic 1  
Light colour White  
Required components:

#### GENERAL INFORMATION:

NOTE: The typical beam angle will be changed by different color, chip size and chip position tolerance. The typical total beam angle is the full angle measured where the luminous intensity is half of the peak value.

#### MATERIALS:

As part of our continuous research and improvement processes, and to ensure the best possible quality and availability of our products, LEDiL reserves the right to change material grades without notice.

#### PRODUCT DATA USER AGREEMENT AND DISCLAIMER:

The measured data in the provided downloadable LEDiL Product Datasheets and Mechanical 2D-Drawings is rounded and provided as reference for planning. LEDiL Oy's optical specifications have been verified by conducting performance testing of the products in accordance with the company's quality system. The reported data are averaged results of multiple measurements with typical variation. LEDiL Oy reserves the right to without prior notification make changes and improvements to its products.

LEDiL Oy assumes neither warranty, nor guarantee nor any other liability of any kind for the contents and correctness of the provided data. The provided data has been generated with highest diligence but the provided data may in reality not represent the complete possible variation range of all intrinsic parameters. Therefore, in certain cases a deviation from the provided data could occur.

LEDiL Oy reserves the right to undertake technical changes of its products without further notification which could lead to changes in the provided data. LEDiL Oy assumes no liability of any kind for the possible deviation from any provided data or any other damage resulting from the usage of the provided data.

The user agrees to this disclaimer and user agreement with the download or usage of the provided files.

#### LEDiL Oy

Joensuunkatu 13  
FI-24240 SALO  
Finland

#### LEDiL Inc.

228 West Page Street  
Suite D  
Sycamore IL 60178  
USA

#### Local sales and technical support

[www.ledil.com/  
where\\_to\\_buy](http://www.ledil.com/where_to_buy)

#### Shipping locations

Salo, Finland  
Hong Kong, China

#### Distribution Partners

[www.ledil.com/  
where\\_to\\_buy](http://www.ledil.com/where_to_buy)