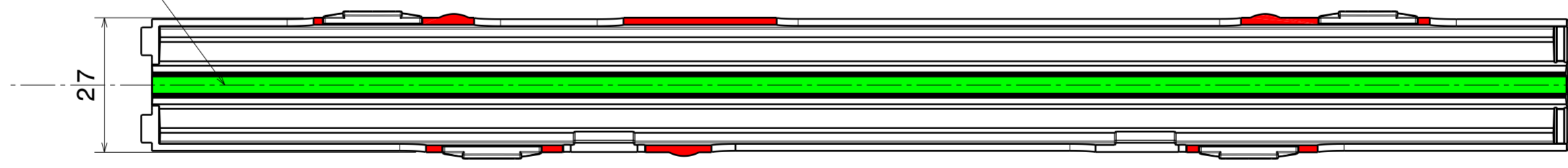


Free pitch for LEDs
position on center line



PART	TYPE	MATERIAL	COLOR / COATING
C16507_LILIAN-ON		PMMA	

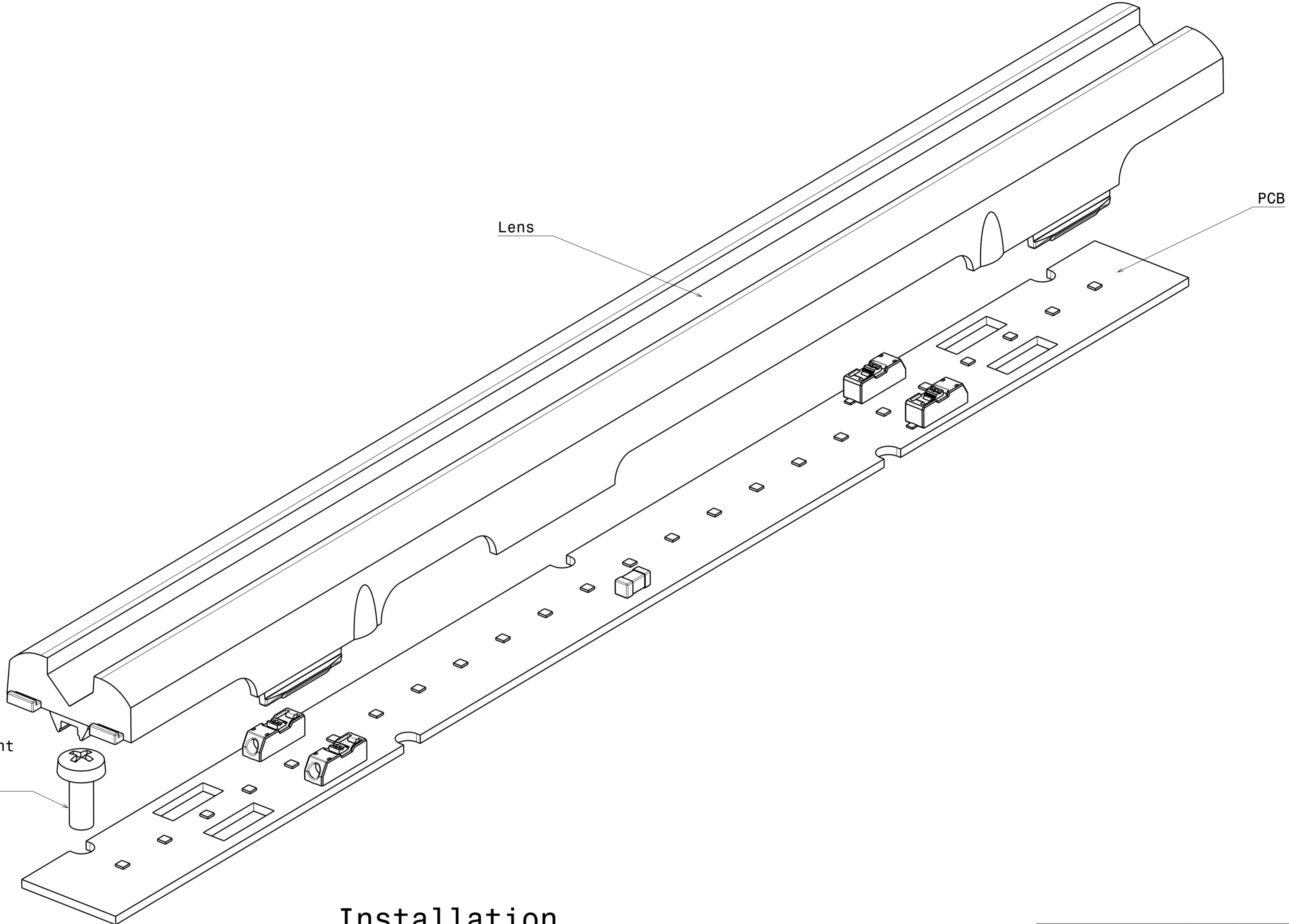
MECHANICAL DRAWING		FIRST ANGLE PROJECTION:	LEDiL®
PRODUCT			
LILIAN		SCALE 1:1	A2 SHEET 1/1
		WEIGHT -	

Notes

●	PCB or heatsink level.
●	LED location
Ensure LED fitting from a product specific 3D model available from www.ledil.com	
For more details about installation please see LEDiL Installation Guide on www.ledil.com	

H G F E D C B A

8
7
6
5
4
3
2
1



Installation

M4 screw, advisable attachment with atleast two (2) screws (can be used with M4 washer)

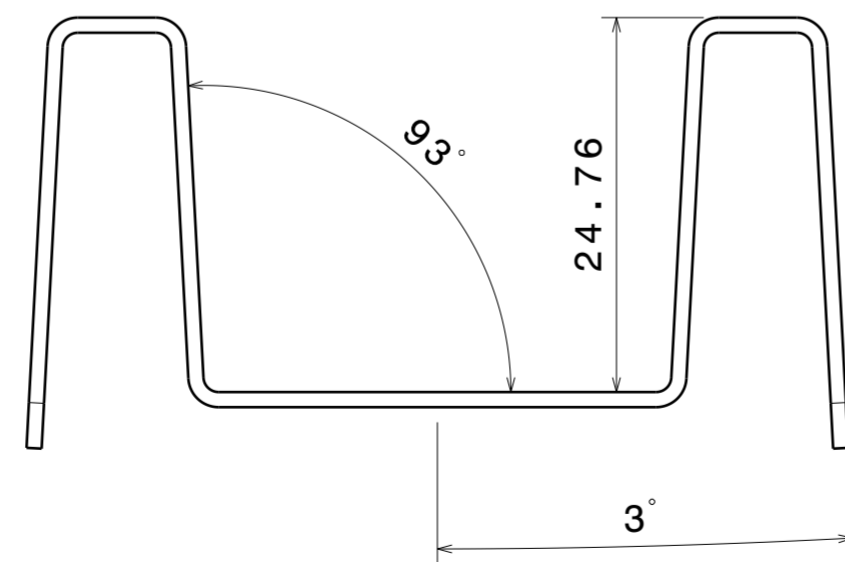
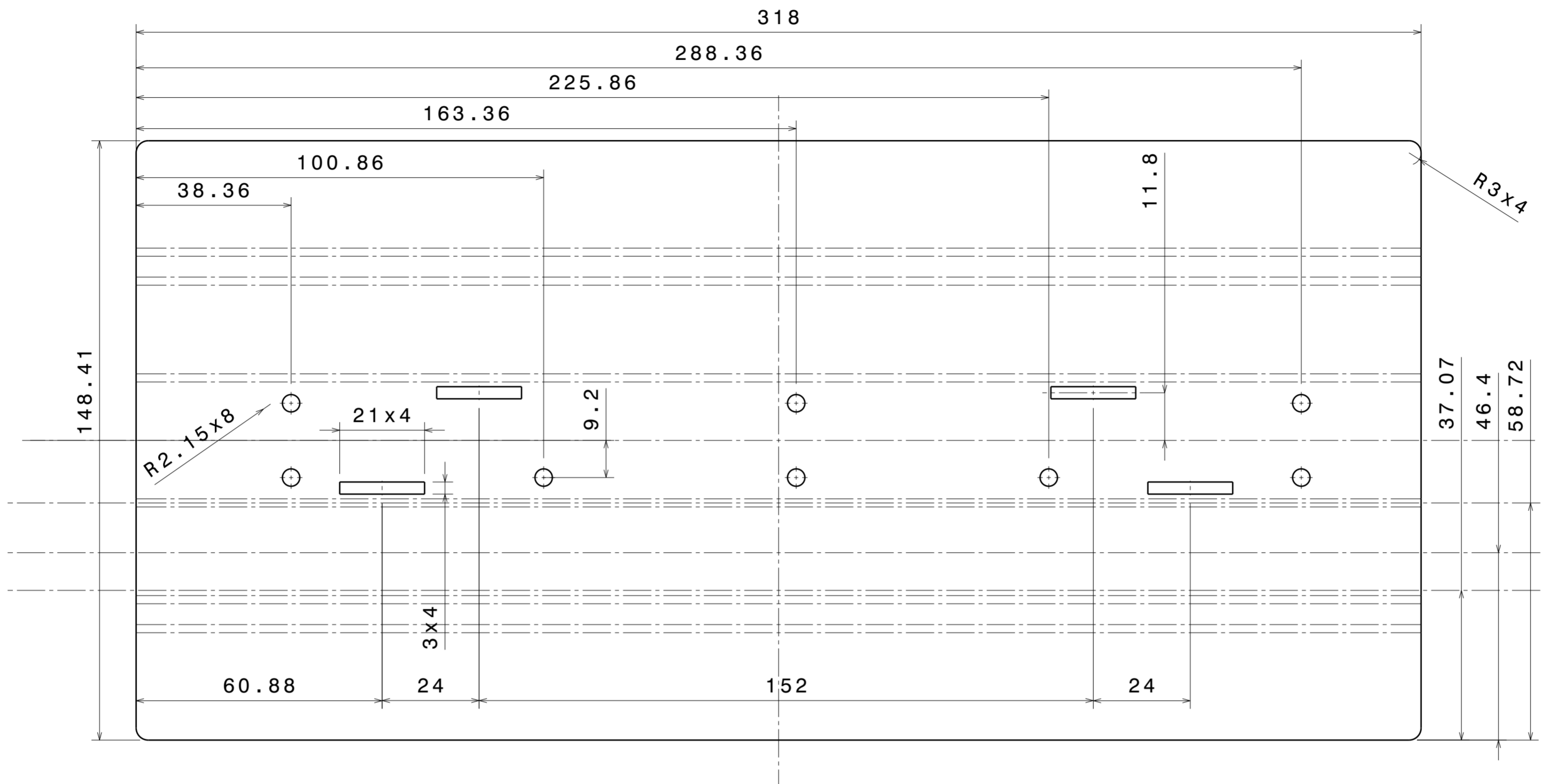
PART	TYPE	MATERIAL	COLOR / COATING
C16507_LILIAN-ON		PMMA	

MECHANICAL DRAWING		LEDiL [®]
PRODUCT LILIAN		
Plastic moulding general tolerances according to DIN 16901-130 and applies if not otherwise shown in the drawing. Silicone moulding general tolerances according to ISO 3302-1 Class M3 and applies if not otherwise shown in the drawing.	FIRST ANGLE PROJECTION: 	This drawing is the property of LEDiL Oy. It may not be copied or otherwise distributed without prior written permission from LEDiL Oy.
SCALE 1:1	WEIGHT -	A2 SHEET 1/1

Notes

●	PCB or heatsink level.
●	LED location
	Ensure LED fitting from a product specific 3D model available from www.ledil.com
	For more details about installation please see LEDiL Installation Guide on www.ledil.com

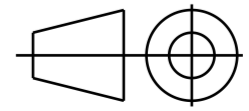
H G F E D C B A



Notes

- PCB or heatsink level.
- LED location
- Ensure LED fitting from a product specific 3D model available from www.ledil.com
- For more details about installation please see LEDiL Installation Guide on www.ledil.com

PART	TYPE	MATERIAL	COLOR / COATING
C16507_LILIAN-ON		PMMA	

MECHANICAL DRAWING		LEDiL [®]
PRODUCT LILIAN		
Plastic moulding general tolerances according to DIN 16901-130 and applies if not otherwise shown in the drawing. Silicone moulding general tolerances according to ISO 3302-1 Class M3 and applies if not otherwise shown in the drawing.	FIRST ANGLE PROJECTION: 	This drawing is the property of LEDiL Oy. It may not be copied or otherwise distributed without prior written permission from LEDiL Oy.
SCALE 1:1	WEIGHT -	A2 SHEET 1/1