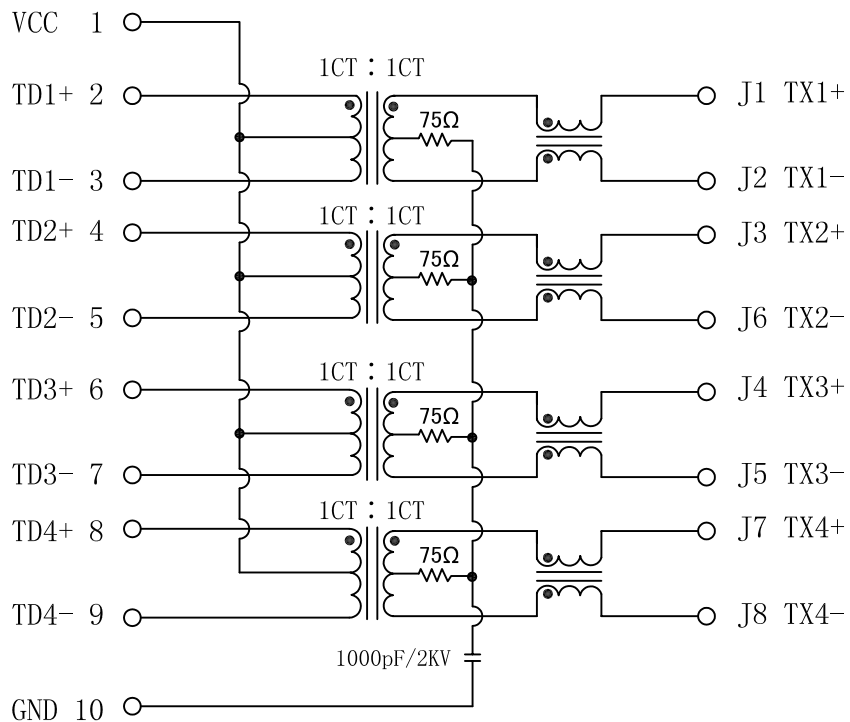


Schematic:

REV.	ECN NO.	DESCRIPTION	DATE	APPD
A	REL		2013/09/24	

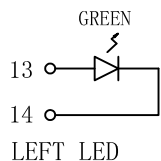
PC BOARD CONNECTIONS



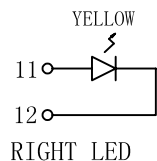
RJ45 CONNECTOR

ELECTRICAL SPECIFICATIONS @25°C

1. Turn Ratio ($\pm 2\%$): 1CT : 1CT
2. Inductance OCL: 350uH Min @100KHz, 0.1V, 8mA DC Bias
3. Insertion Loss:
 - 0.8dB Max @ 0.3-100MHz
 - 1.2dB Max @ 100-120MHz
4. Return Loss:
 - 18dB Min @ 0.5-40MHz
 - 12-20Log(f/80MHz)dB Min @ 40-100MHz
5. Cross talk:
 - 33-20Log(f/100MHz)dB MIN @ 0.1-100MHz
6. Common To Differential Mode Rejection:
 - 35dB MIN @ 0.3-100MHz
7. Common To Common Mode Rejection:
 - 30dB MIN @ 0.3-100MHz
8. Hipot Test: 1500VAC FOR 60 SECONDS
9. Operating Temperature : 0°C TO 70°C



LED POLARITY		COLOR
PIN 13	PIN 14	
+	-	GREEN



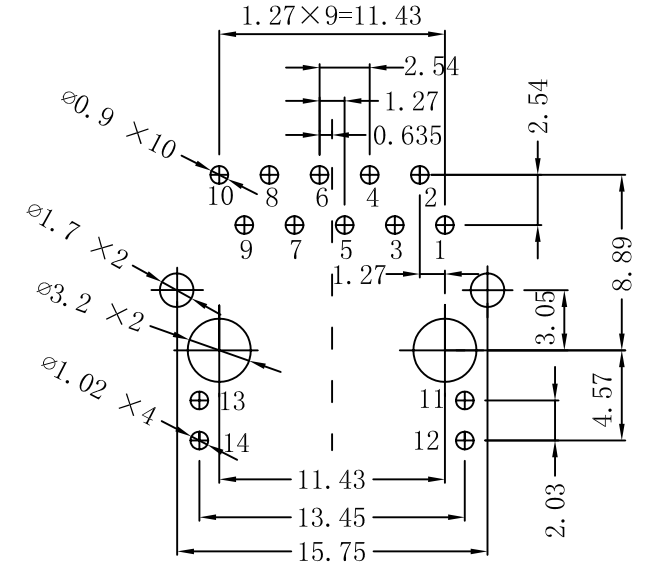
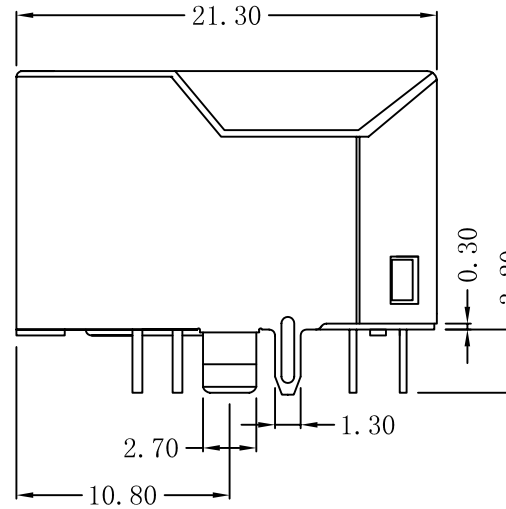
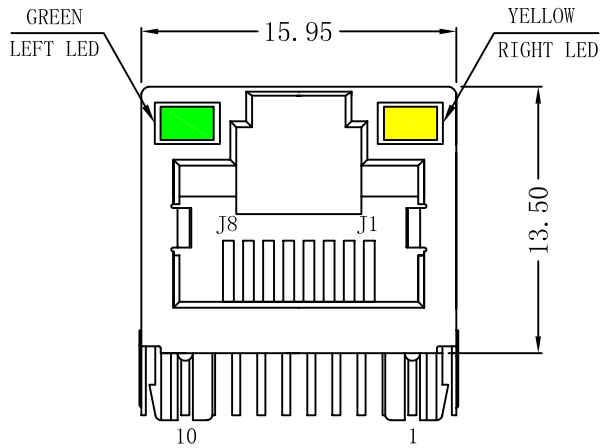
LED POLARITY		COLOR
PIN 11	PIN 12	
+	-	YELLOW



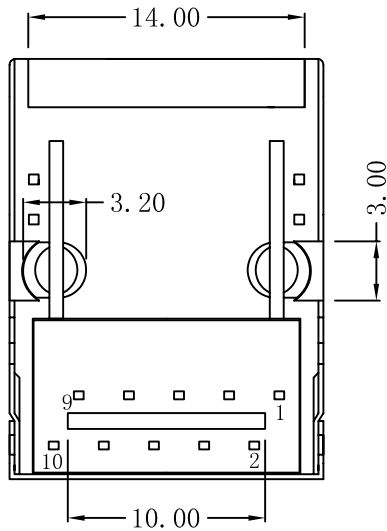
X:X	± 0.20	APPD:	LINK-PP INT'L TECHNOLOGY CO., LIMITED
X:XX	± 0.10	CHKD:	
X:XXX	± 0.05	DR: TOM	TITLE: Through Hole Tab-Up RJ45 Jack With 10/100/1000 Base-TX Magnetic
ANGLES	$\pm 1^\circ$	UNIT: mm	PART NO.: LPJG16320BENL
	SCALE: 2/1	SHEET: 1/2	REV: A DWG NO.: LP13092422

Mechanical :

REV.	ECN NO.	DESCRIPTION	DATE	APPD
A	REL		2013/09/24	



SUGGESTED PCB LAYOUT(TOP VIEW)



NOTES:

1. Designed to support application, such as SOHO (ADSL modems), LAN-on-Motherboard (LOM), hub and Switches.
2. Meets IEEE 802.3 specification
3. Connector Materials:
 Housing: Thermoplastic UL94V-0
 Contact/Shield: Copper alloy
 Shield plating: Nickel
 Contact plating: Gold 6 micro-inches min. In contact area.
4. Wave solder tip temperature: 265°C Max
 Wave solder tip temperature time: 5 Sec Max



X:X	±0.20	APPD:	LINK-PP INT'L TECHNOLOGY CO., LIMITED
X:XX	±0.10	CHKD:	
X:XXX	±0.05	DR: TOM	TITLE: Through Hole Tab-Up RJ45 Jack With 10/100/1000 Base-TX Magnetic
ANGLES	±1°	UNIT: mm	PART NO.: LPJG16320BENL
	SCALE: 2/1	SHEET: 2/2	REV: A DWG NO.: LP13092422