

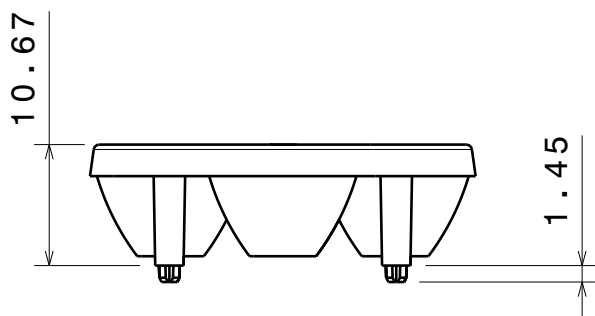
D

C

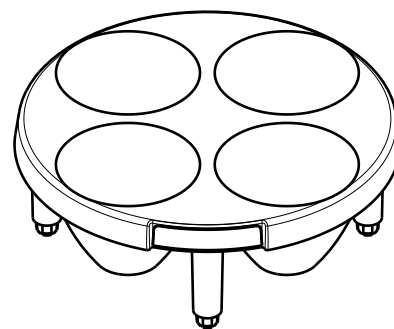
B

A

4



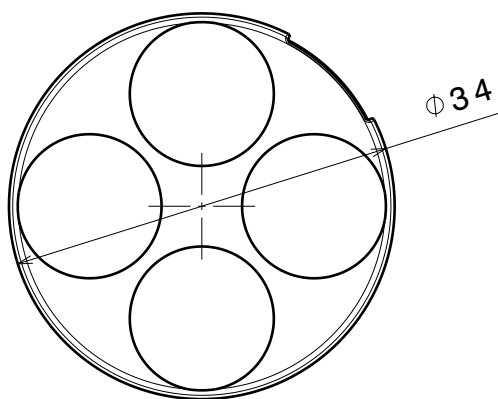
Front view



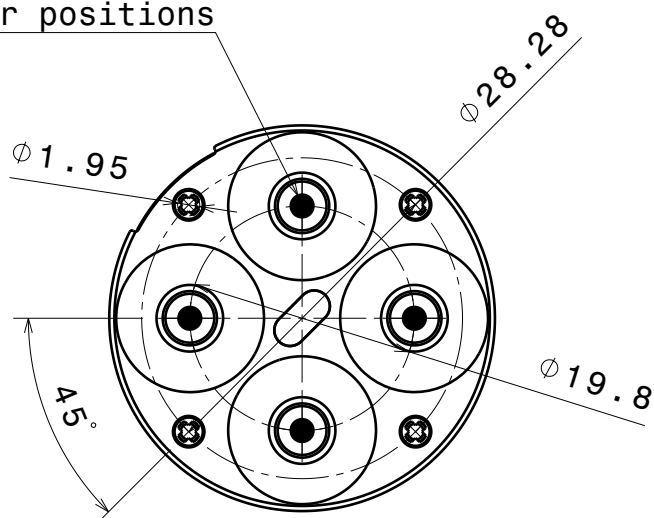
Isometric view

3

LED center positions



Top view



Bottom view

2

2

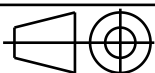
INDEX	PART NO	DESCRIPTION	MATERIAL	COLOUR
1	C12285	ANGIE-S	PMMA	
1	C12286	ANGIE-M	PMMA	
1	C12288	ANGIE-W	PMMA	

Tolerances if not otherwise shown  
According to DIN ISO 2768-1  
Linear measures:  
up to 30mm class M, otherwise class C  
According to DIN ISO 2768-2  
Form and position: class L

LEDiL

Ledil Oy  
Salorankatu 10  
FIN 24240 SALO  
Finland

THIRD ANGLE PROJECTION:



DRAWING TITLE

ANGIE family datasheet

This drawing is the property  
of LEDiL Oy. It may not be  
reproduced, copied or  
communicated without a written  
agreement with LEDiL Oy.

SIZE PART NUMBER

A4

C12285/C12286/C12288

SCALE 3:2 WEIGHT -

SHEET 1/1

D

A

1

1