

D

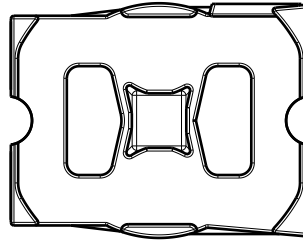
C

B

A

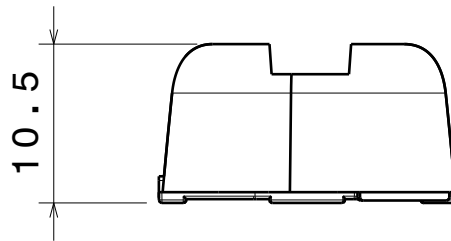
4

4



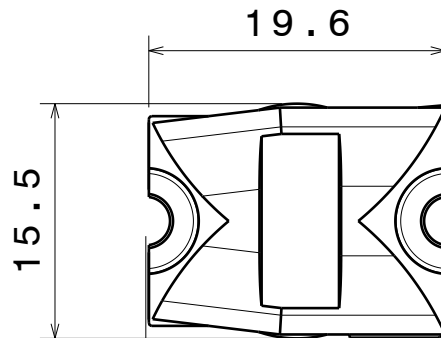
3

3



2

2



Material: PMMA

Lens is centered to LED using leds base as guide.

20

c / c

This drawing is our property. It can't be reproduced or communicated without our written agreement.



L  
T  
F  
F

e  
e  
i  
i  
N  
n

d  
h

DRAWING TITLE

Datasheet Strada-A-XP Lens

DRAWN BY

DATE

p

24.11.2008

CHECKED BY

DATE

t

k

24.11.2008

SIZE

A4

DRAWING NUMBER

C10818

REV

0.1

DESIGNED BY

DATE

hh

20.11.2008

SCALE

2:1

WEIGHT (g)

SHEET

1/2

1

1

D

A