

D

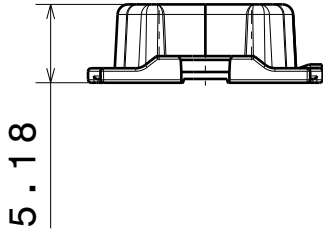
C

B

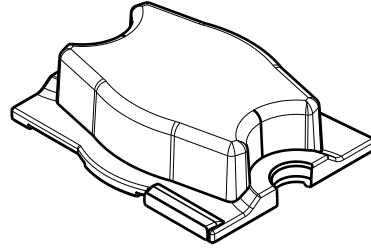
A

4

4

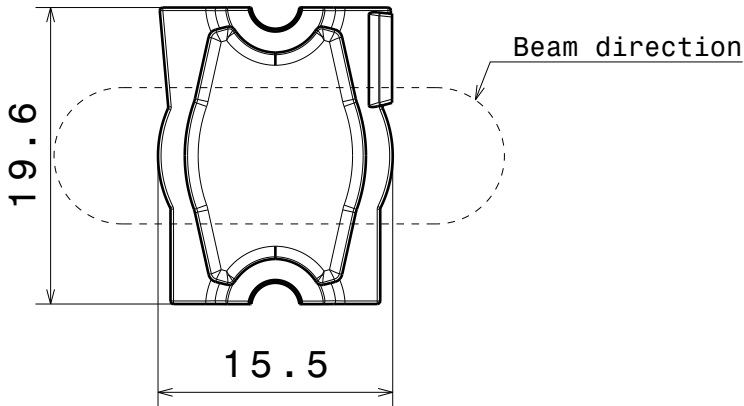


Front view

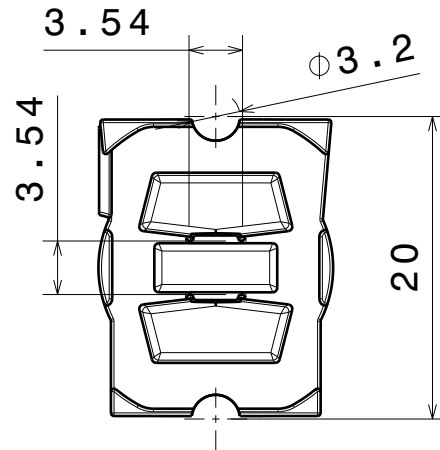
Isometric view
Scale: 2:1

3

3



Top view



Bottom view

2

2

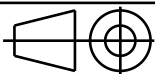
INDEX	PART NO	DESCRIPTION	MATERIAL	COLOUR
1	C10926	STRADA-B	PMMA	

Tolerances if not otherwise shown
According to DIN ISO 2768-1
Linear measures:
Up to 30mm class M, otherwise class C.
According to DIN ISO 2768-2
Form and position: class L

LEDiL

Ledil Oy
Salorankatu 10
FIN 24240 SALO
Finland

THIRD ANGLE PROJECTION:



DRAWING TITLE

C10926_STRADA-B

1

1

This drawing is the property
of LEDiL Oy. It may not be
reproduced, copied or
communicated without a written
agreement with LEDiL Oy.

SIZE PART NUMBER

A4

C10926

SCALE	2:1	WEIGHT	0,76 g	SHEET	1/1
-------	-----	--------	--------	-------	-----

D

A