

D

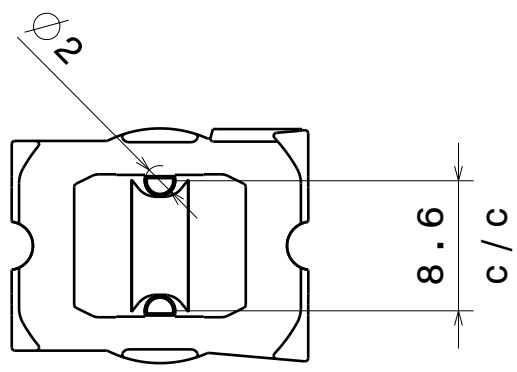
C

B

A

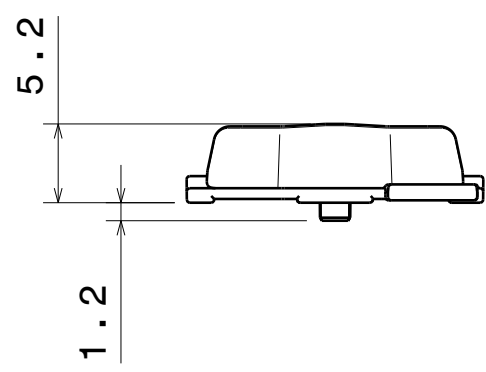
4

4



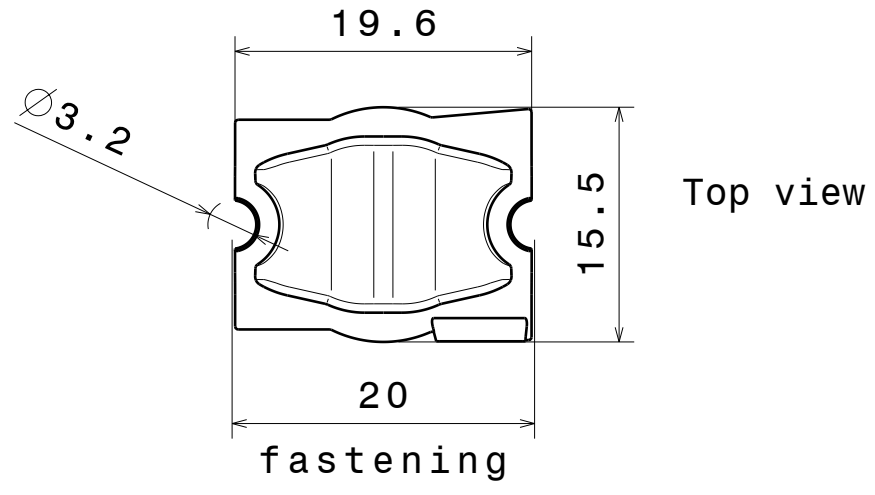
3

3



2

2



MATERIALS
 Lens: PMMA

This drawing is our property.
 It can't be reproduced
 or communicated without
 our written agreement.



L
T
F
F

e
e
i
i
n
n

d

h

DRAWING TITLE

Datasheet Strada-B2-XP lens

DRAWN BY
p

DATE
13.08.2009

CHECKED BY
t k

DATE
12.06.2009

SIZE
A4

DRAWING NUMBER
C10949

REV
1

DESIGNED BY
hh

DATE
12.06.2009

SCALE 2:1

WEIGHT (g)

SHEET

1/1

D

A

1

1