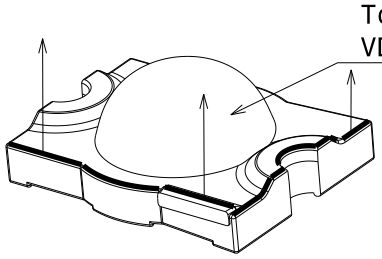


D C B A

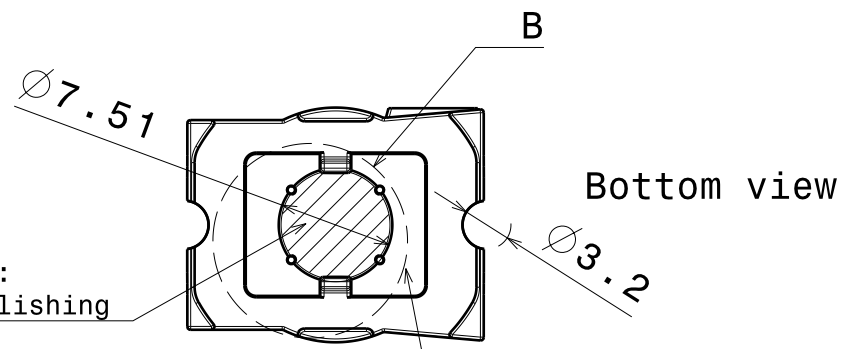
4



Isometric view

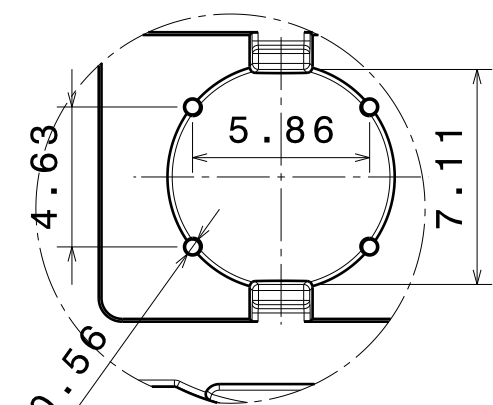
Top surfaces finish:
VDI26 with texture polishing

Patterned area finish:
VDI12 with texture polishing

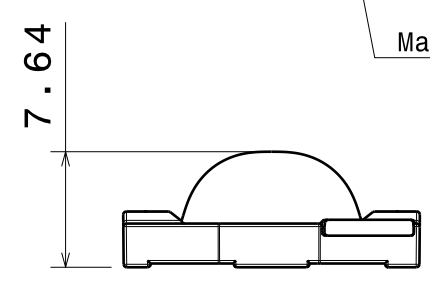


Bottom view

3

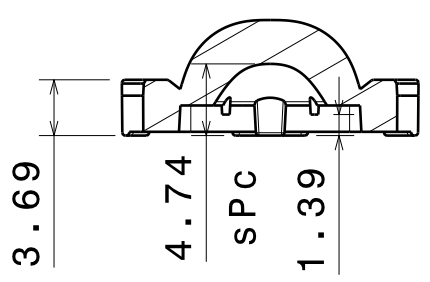


Detail B
Scale: 4:1

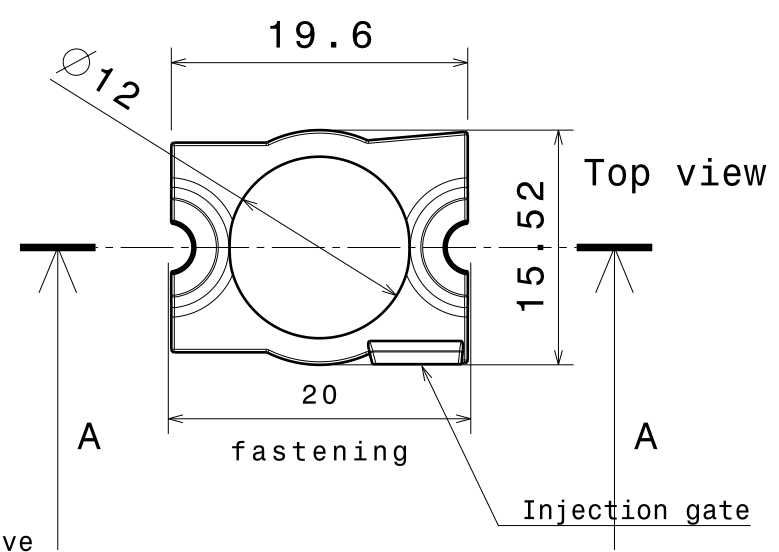


Front view

2



Section view A-A



Top view

MATERIALS
 Lens: PMMA
 Tape: PU Foam, Double sided adhesive
Tolerances:
 Dimensions +/- 0,1 if not otherwise shown.
 Control for SPC marked dimensions.

Part no. with tape fastening: CA10967

This drawing is our property.
 It can't be reproduced
 or communicated without
 our written agreement.



Ledil Oy
 Tehdaskatu 13
 FIN-24100 SALO
 Finland

DRAWING TITLE

Drawing Strada-C-XR lens

1

DRAWN BY pv	DATE 23.07.2009	SIZE A4			DRAWING NUMBER C10966		REV 1
CHECKED BY tk	DATE 17.06.2009	SCALE 2:1		WEIGHT (g)		SHEET 1/1	
DESIGNED BY hh	DATE 17.06.2009						

D A