

D

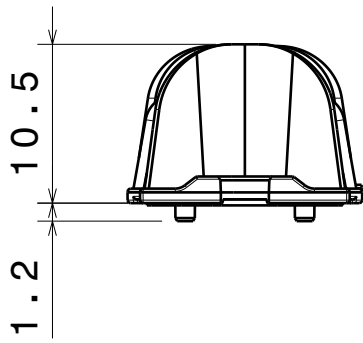
C

B

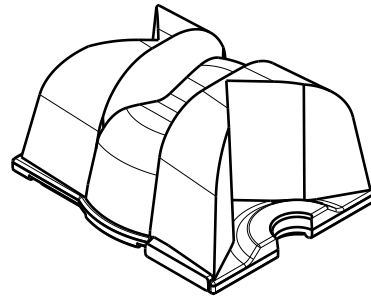
A

DATE

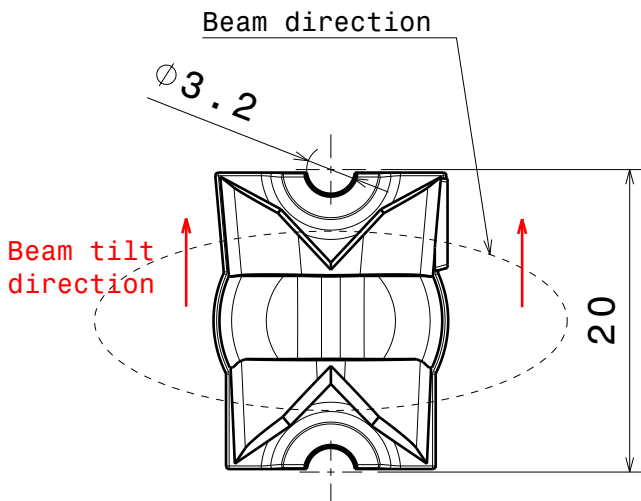
05.02.2019



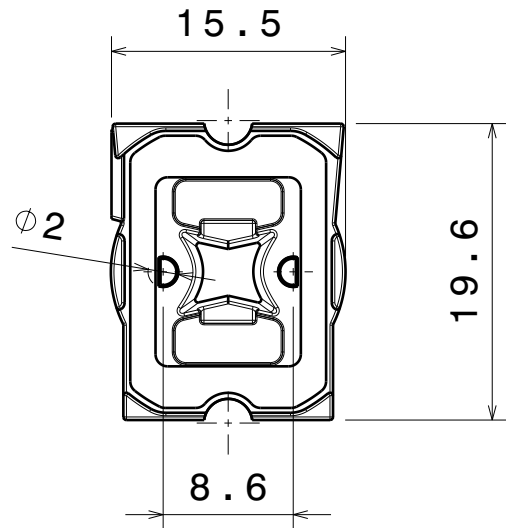
Front view



Isometric view
Scale: 2:1



Top View



Bottom view

PART	TYPE	MATERIAL	COLOR / COATING
Strada-A2			clear

MECHANICAL DRAWING

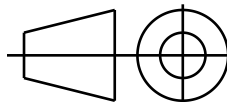
PRODUCT

STRADA

LEDiL®

Plastic moulding general tolerances according to DIN 16901-130 and applies if not otherwise shown in the drawing. Silicone moulding general tolerances according to ISO 3302-1 Class M3 and applies if not otherwise shown in the drawing.

FIRST ANGLE PROJECTION:



This drawing is the property of LEDiL Oy. It may not be copied or otherwise distributed without prior written permission from LEDiL Oy.

SCALE 2:1

WEIGHT -

A4 SHEET 1/1

D

A