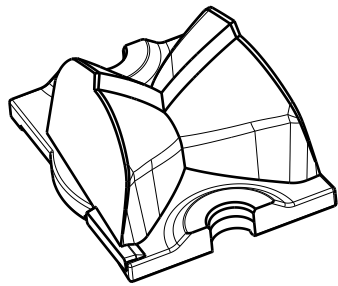


D

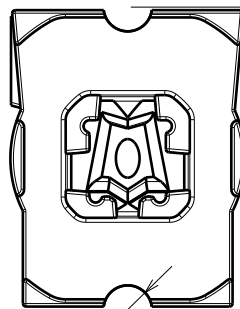
C

B

A



Isometric view

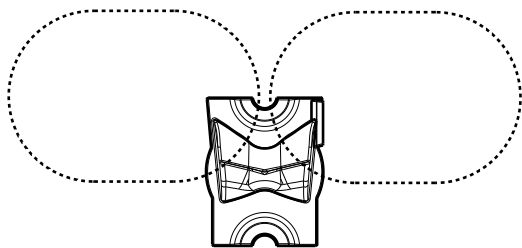


Bottom view

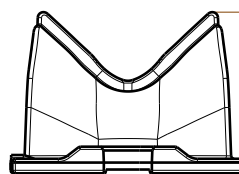
20

fastening

3.2

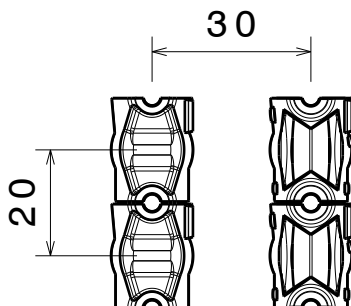


Beam direction



Front view

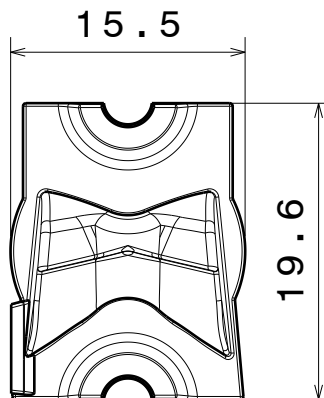
10.9  
with tape 11.3



Strada lens arrangement recommendation

30

20



Top view

15.5

19.6

MATERIALS

Lens: PMMA

Tape(optional): PU Foam

Part no. with tape fastening: CA12333\_Strada-T-DW

This drawing is our property. It can't be reproduced or communicated without our written agreement.



Ledil Oy  
Tehdaskatu 13  
FIN-24100 SALO  
Finland

DRAWING TITLE

Datasheet STRADA-T-DW

DRAWN BY

ah

DATE

13.12.2011

CHECKED BY

vs

DATE

13.12.2011

SIZE

A4

DRAWING NUMBER

C12331

REV

1

DESIGNED BY

hh

DATE

17.05.2010

SCALE

2:1

WEIGHT (g)

SHEET

1/1

D

A

4

4

3

3

2

2

1

1