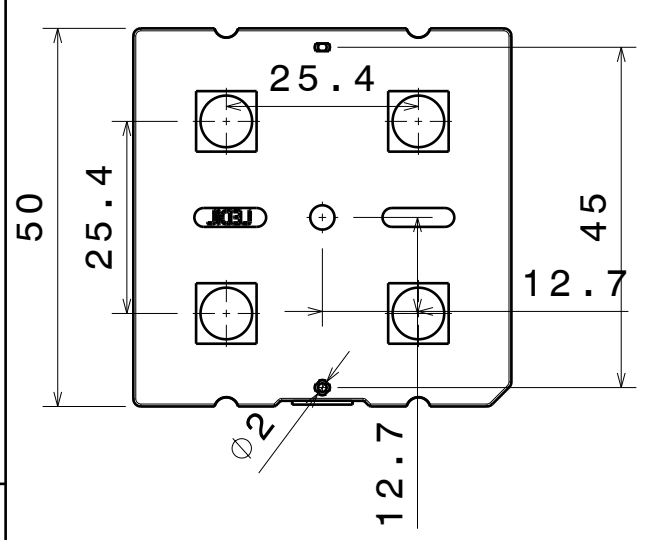
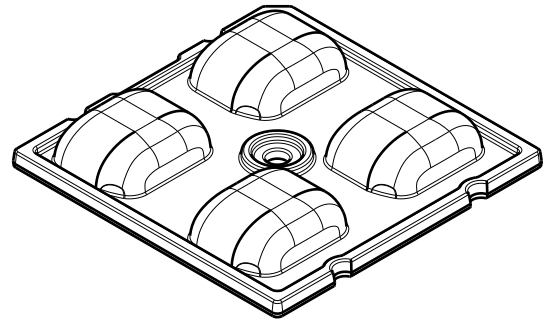


D C B A

4



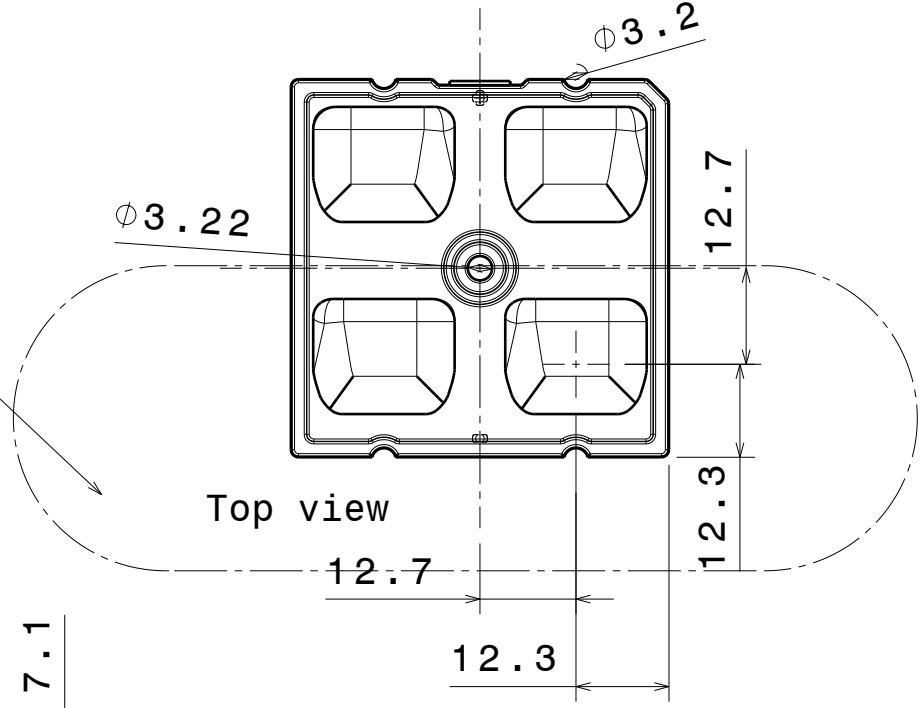
Bottom view



Isometric view

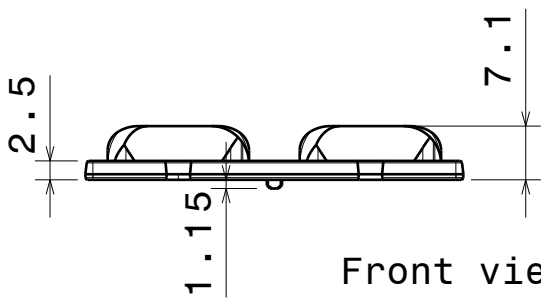
3

Beam Direction



Top view

2



Front view

Note: Mechanically identical to C13299.

INDEX	PART NO	DESCRIPTION	MATERIAL	COLOUR
1	C14515	STRADA-2X2-ME	PC	clear

Tolerances if not otherwise shown  
 According to DIN ISO 2768-1  
 Linear measures: class C  
 According to DIN ISO 2768-2  
 Form and position: class L

**LEDiL** LediL Oy  
 Salorankatu 10  
 FIN 24240 SALO  
 Finland

THIRD ANGLE PROJECTION:

DRAWING TITLE  
**C14515\_STRADA-2X2-ME**

This drawing is the property of LEDiL Oy. It may not be reproduced, copied or communicated without a written agreement with LEDiL Oy.

SIZE	PART NUMBER
A4	C14515

SCALE	1:1	WEIGHT	8,92 g	SHEET	1/1
-------	-----	--------	--------	-------	-----

1

D A