

H G F E D C B A

4

3

2

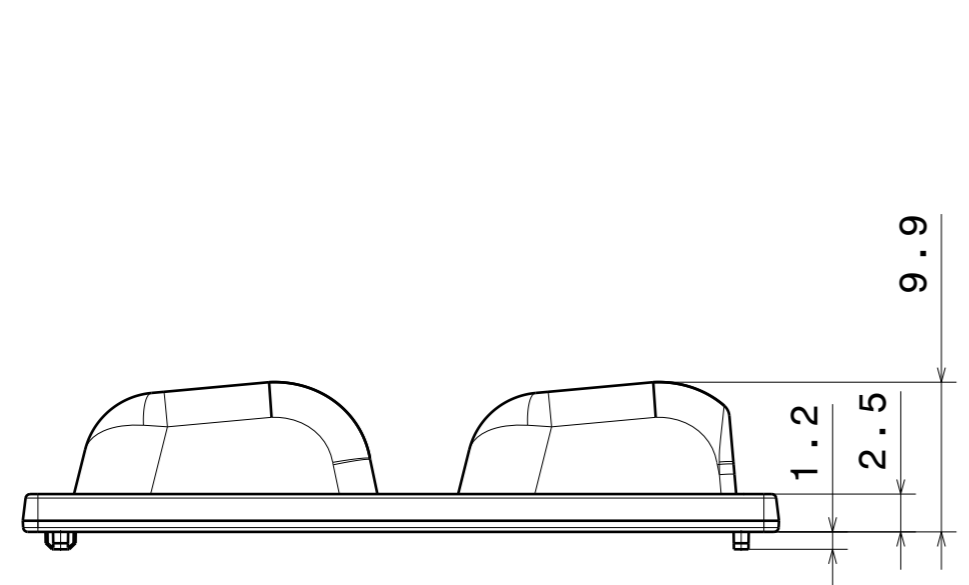
1

4

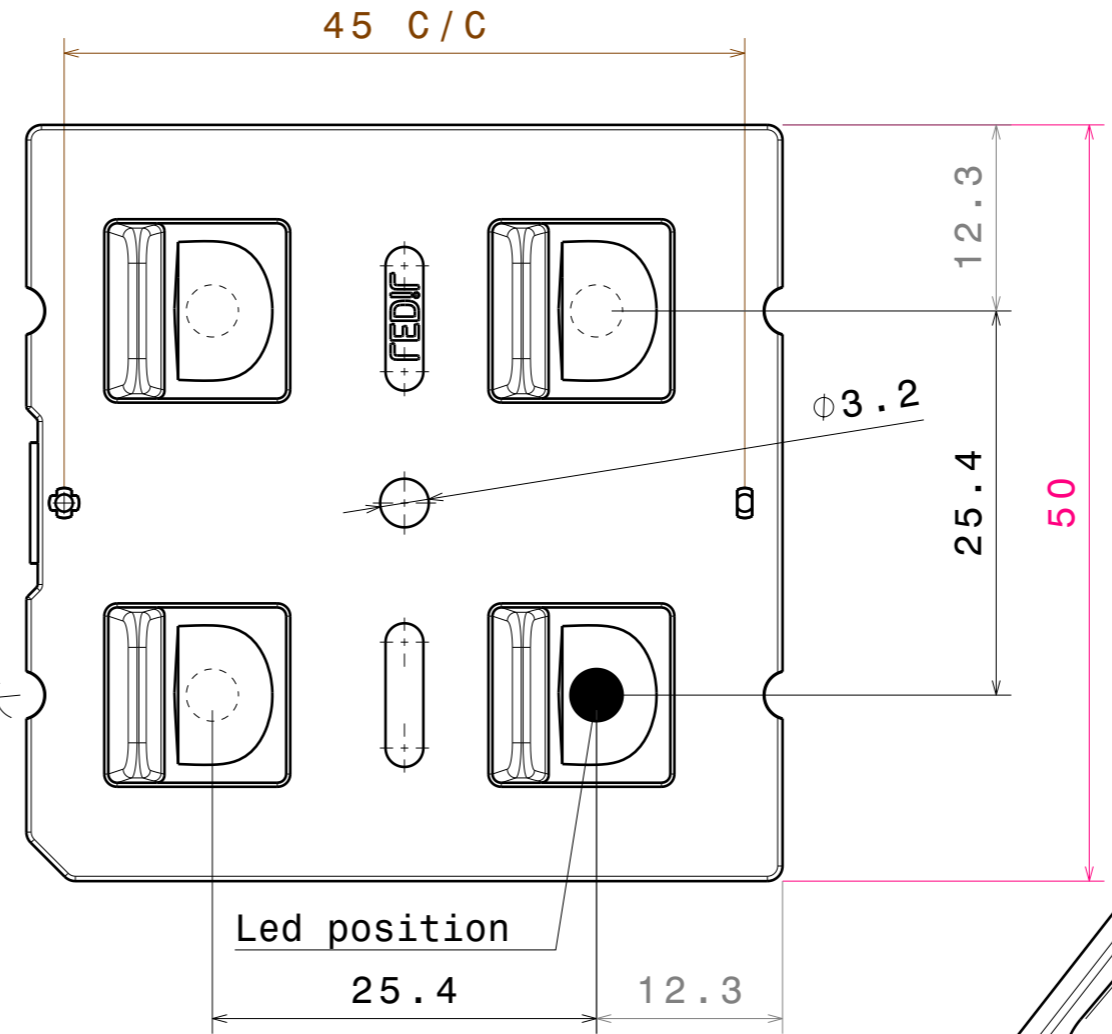
3

2

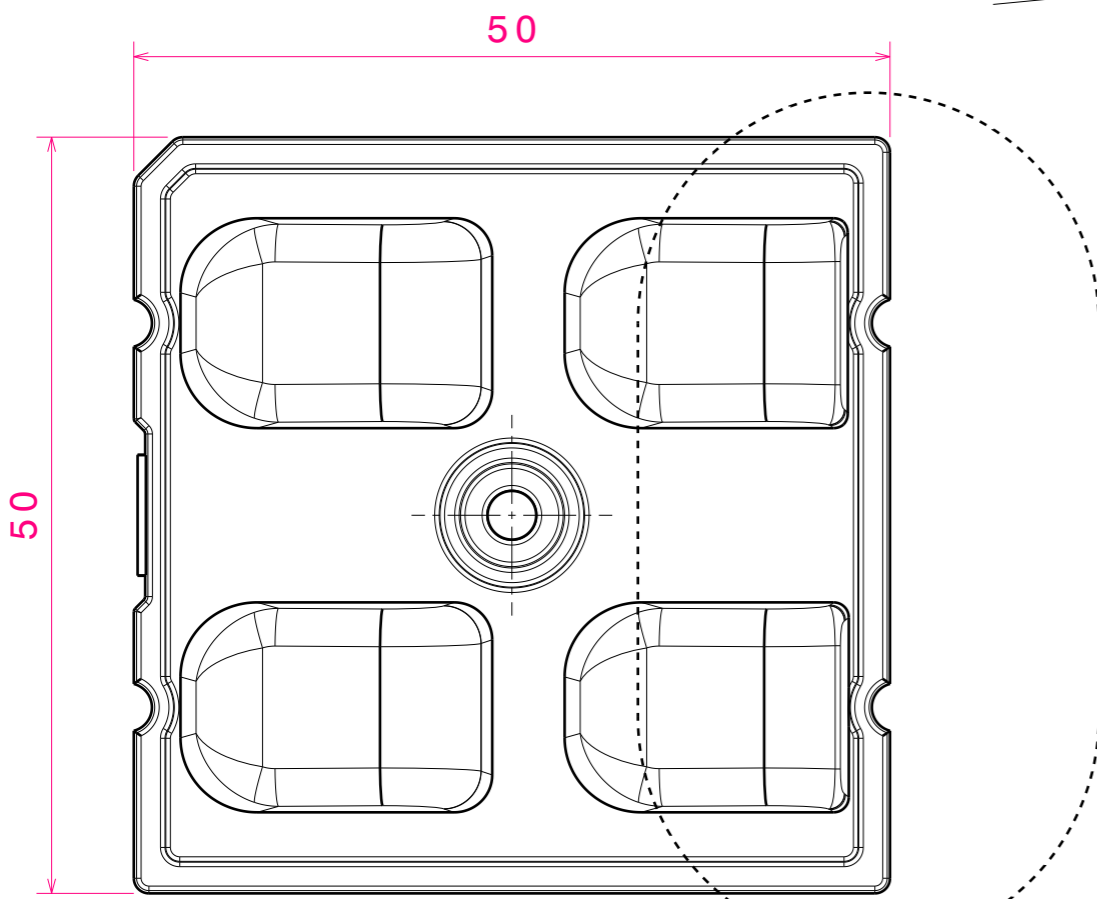
1



Front view

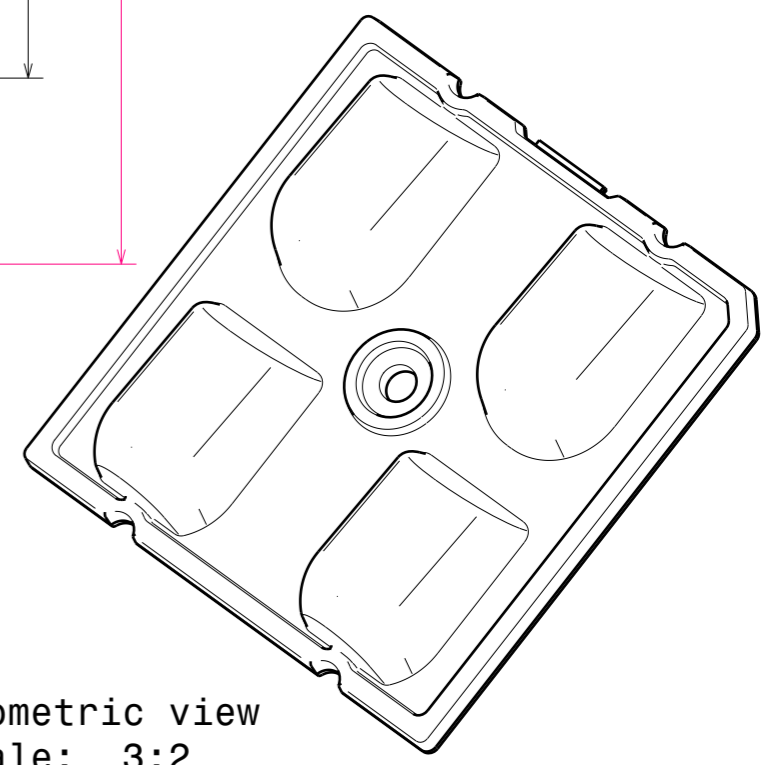


Bottom view



Top view

Beam direction



Isometric view  
Scale: 3:2

INDEX	PART NO	DESCRIPTION	MATERIAL	COLOUR
1	C14731	STRADA-2X2-FN-PC	PC	

Tolerances if not otherwise shown  
According to DIN ISO 2768-1  
Linear measures:  
Up to 30mm class M, otherwise class C.  
According to DIN ISO 2768-2  
Form and position: class L

**LEDiL** LediL Oy  
Salorankatu 10  
FIN 24240 SALO  
Finland

THIRD ANGLE PROJECTION:

DRAWING TITLE  
**C14731\_STRADA-2X2-FN-PC**

This drawing is the property of LEDiL Oy. It may not be reproduced, copied or communicated without a written agreement with LEDiL Oy."

SIZE	PART NUMBER		
<b>A3</b>	<b>c14731</b>		

SCALE	2:1	WEIGHT	-	SHEET	1/1
-------	-----	--------	---	-------	-----

H G F E D C B A