

Notes

- PCB or heatsink level.
- LED location.
- Ensure LED fitting from a product specific 3D model available from www.ledil.com.
- See installation details in page 2.

MECHANICAL DRAWING		LEDiL [®]
PRODUCT C16795_STRADA-2X2-T2-M-PC		
Tolerances if not otherwise shown According to DIN ISO 2768-1 Linear measures: Up to 30mm class M, otherwise class C. According to DIN ISO 2768-2 Form and position: class L	FIRST ANGLE PROJECTION: 	This drawing is the property of LEDiL Oy. It may not be reproduced, copied or communicated without a written agreement with LEDiL Oy.
SCALE 1:1	WEIGHT 12 g	
		A3 SHEET 1/2

Holes for position pins

PCB

LENS

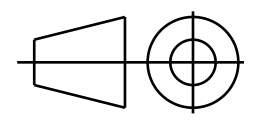
Optional screw holes

M3 washer

M3 screw

Installation

Optional screw holes

MECHANICAL DRAWING		LEDiL [®]
PRODUCT C16795_STRADA-2X2-T2-M-PC		
Tolerances if not otherwise shown According to DIN ISO 2768-1 Linear measures: Up to 30mm class M, otherwise class C. According to DIN ISO 2768-2 Form and position: class L	FIRST ANGLE PROJECTION: 	This drawing is the property of LEDiL Oy. It may not be reproduced, copied or communicated without a written agreement with LEDiL Oy.
SCALE 2:1	WEIGHT -	
		A3 SHEET 2/2