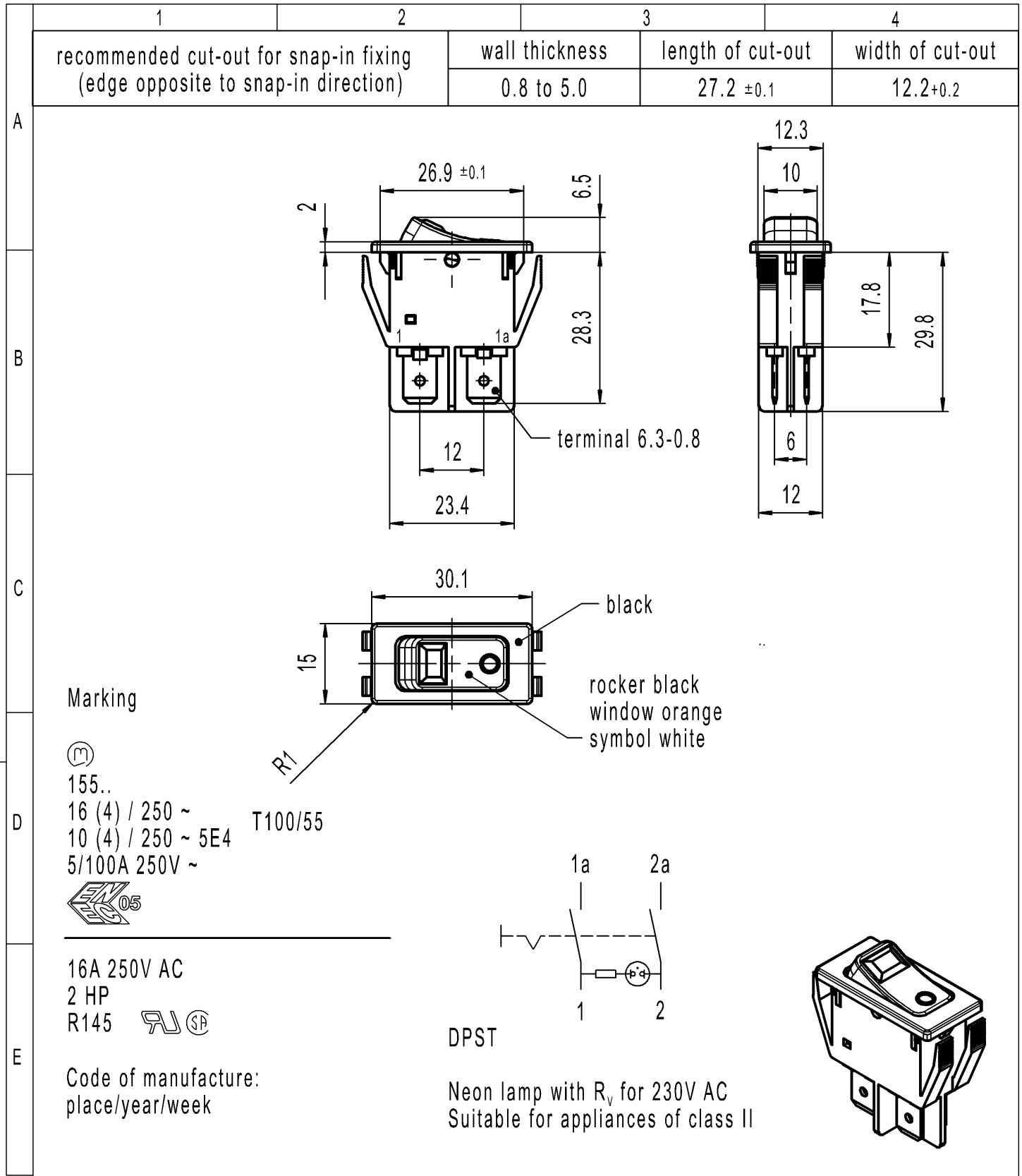


CONFIDENTIAL

VERTRAULICH

THIS DRAWING IS THE EXCLUSIVE PROPERTY OF MARQUARDT. WITHOUT THEIR CONSENT IT MAY NOT BE REPRODUCED OR GIVEN TO THIRD PARTIES.

Alle Rechte bei Marquardt, auch fuer den Fall von Schutzrechtsanmeldungen. Jede Veruegungsbefugnis, wie Kopier- und Weitergaberecht, bei uns.



-		-		-		1555.3104-XX			
Figure		Type		Customer No.		Art.No.-PI			
Shape and location	Angle ± 2 °	Length		Radii		Sheet 01	Ident. K	Document number 15553104	Index e
	Edge tolerance	>0-6 ± 0.2	>6-15 ± 0.4	>15-30 ± 0.4	>30-70 ± 0.6				
⊙ ≡		>70-120 ±	>120-200 ±	±	±	A4		1:1	Appliance Switch
e	134536	2020-12-01		MATHPATIR		All dimensions are in millimetres			
d	69572	2010-10-13		HHE		System NX V11.0	MARQUARDT		
b	23635	1995-11-08		RS					
a	21323	1992-04-22		MUT		Replacement of			
Index	MEC-No.	Date (YYYY-MM-DD)		Edited by		Zg.gl.Nr.v.03.05.1988			

Mouser Electronics

Authorized Distributor

Click to View Pricing, Inventory, Delivery & Lifecycle Information:

[Marquardt:](#)

[1555.3104](#)