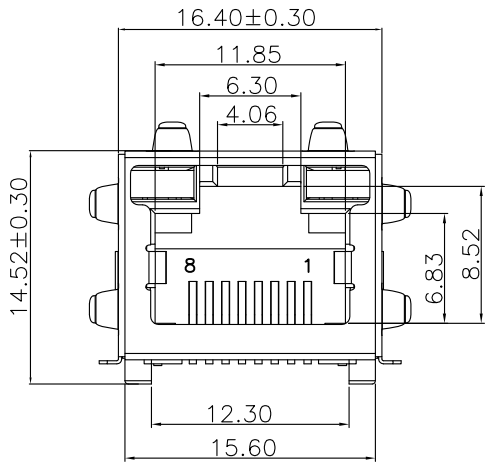
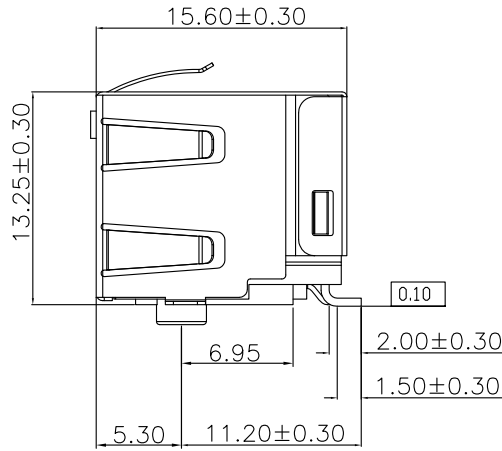


Mechanical:

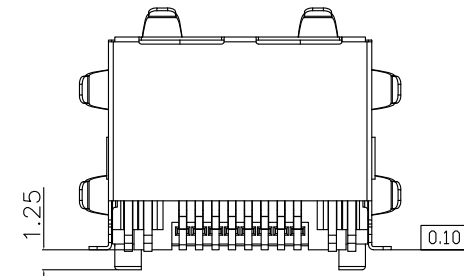
REW.	ECN NO.	DESCRIPTION	DATE	APPD
B	REL		2018/03/02	



Front Side View

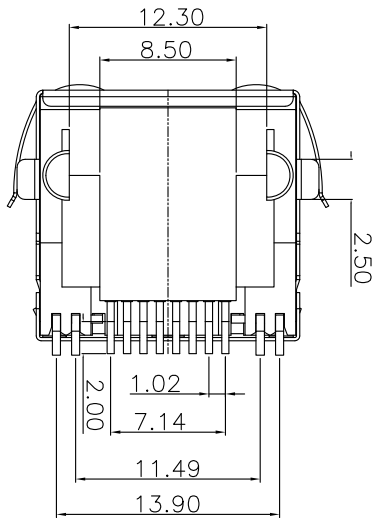


Left Side View

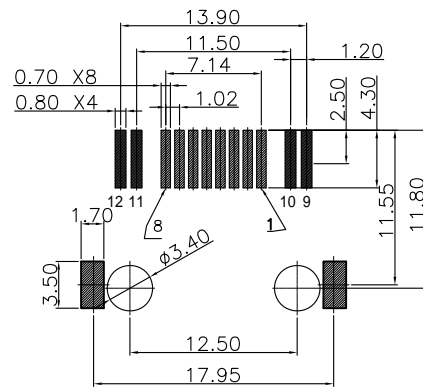


LPJES101XAGNL

Gold Plating	"X"
Gold Flash	0
1.5u"	1
3u"	2
6u"	3
15u"	4
30u"	5
50u"	6



Bottom Side View



Suggested PCB Layout (Top View)



NOTES:

Electrical:

- 1. Voltage rating : 125 VAC RMS
- 2. Current Rating : 1.5 AMP
- 3. Contact resistance : 20 MΩ Max
- 4. Insulation resistance : 1000 MΩ Min @500V DC
- 5. Dielectric strength : 1000 VAC RMS 50Hz, 1MIN.

MECHANICAL:

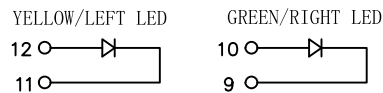
- 1. Housing & Insert Material : Thermoplastic LCP UL94V-0
- 2. Contact Material : Phospor bronze T=0.30mm
- 3. Plating : Gold Plating OVER nickel
- 4. Operating Life : 750 Cycles Min.

ENVIRONMENTAL:

- 1. Storage : -40°C ~ +85°C
- 2. Operation : -40°C ~ +85°C.
- 3. Maximum reflow temperature: 260°C Max, 5 Sec

UL Certification: File Number E484635

Emitting Color	λp(nm)	VF@IF=20mA	IR@VR=5V
Green	570	1.8~2.6V	10 μA max
Yellow	585	1.8~2.6V	10 μA max



X:X ± 0.30	APPD:	LINK-PP INT'L TECHNOLOGY CO., LIMITED		
X:XX ± 0.25	CHKD:	TITLE: SMT RJ45 Jack W/LED		
X:XXX ± 0.05	DR: James	PART NO.: LPJES101XAGNL		
ANGLES ± 1°	UNIT: mm			
	SCALE: 1/1	SHEET: 1/1	REV: B	DWG NO.: LP180302016