

D

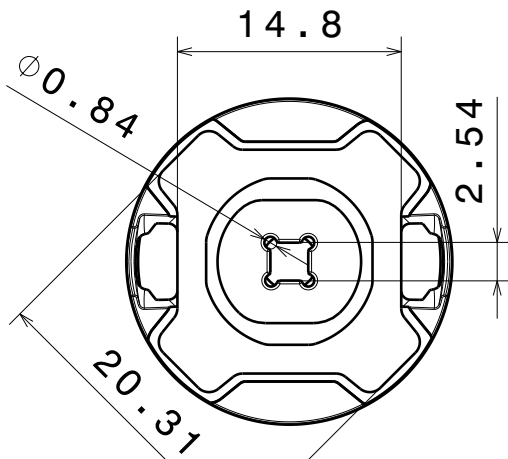
C

B

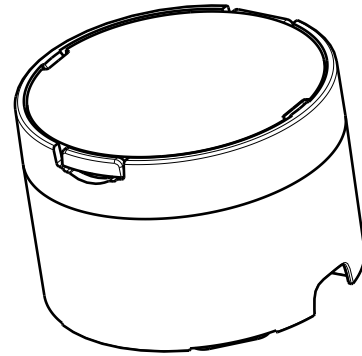
A

DATE

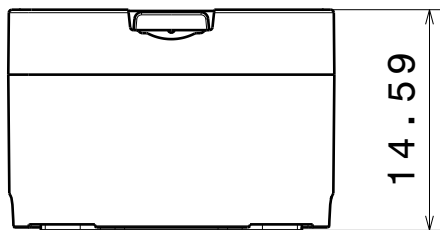
18.02.2019



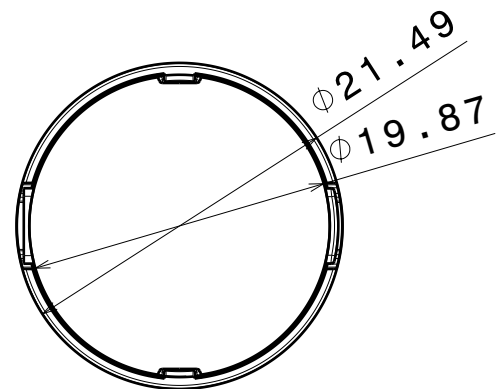
Bottom view



Isometric view



Front view



Top view

PART	TYPE	MATERIAL	COLOR / COATING
CA12666_LXB2-M			black

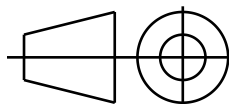
MECHANICAL DRAWING

PRODUCT

LEILA-20**LEDiL**®

Plastic moulding general tolerances according to DIN 16901-130 and applies if not otherwise shown in the drawing. Silicone moulding general tolerances according to ISO 3302-1 Class M3 and applies if not otherwise shown in the drawing.

FIRST ANGLE PROJECTION:



This drawing is the property of LEDiL Oy. It may not be copied or otherwise distributed without prior written permission from LEDiL Oy.

SCALE 2:1

WEIGHT -

A4 SHEET 1/1

D

A