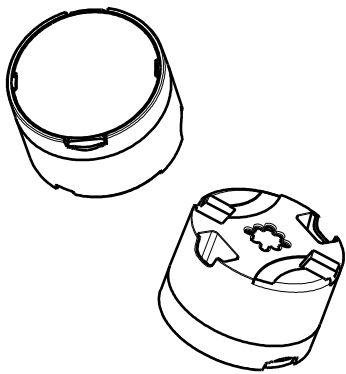


D

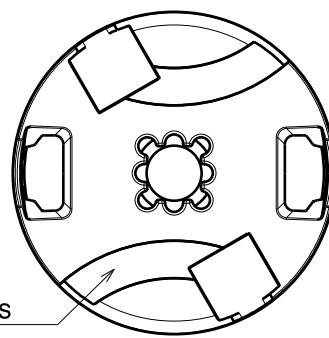
C

B

A



Isometric view
Scale: 1:1

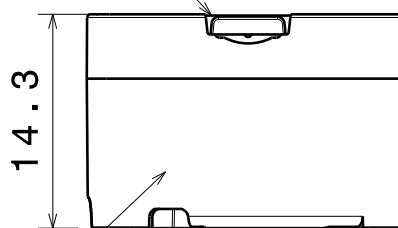


Glue stripes

Bottom view

Lens: C11410 LR2-RS

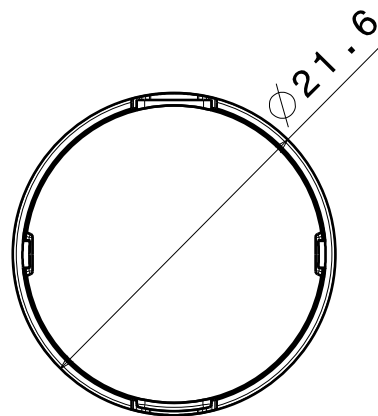
Note. Glue holder: Lens and Holder delivered separately, not assembled.



14.3

Holder: C11695 Leila Holder N19

Front view



Top view

Materials:
Lens: PMMA-8N
Holder: PC-2407-WHITE

Dimensions: Tolerance +/-0.1 if not otherwise shown. Control for SPC marked dimensions.

This drawing is our property. It can't be reproduced or communicated without our written agreement.



Ledil Oy
Tehdaskatu 13
FIN-24100 SALO
Finland

DRAWING TITLE

Drawing LN3-N19-RS

DRAWN BY
mav

DATE
25.05.2011

CHECKED BY
pv

DATE
25.05.2011

SIZE
A4

DRAWING NUMBER
CA10870

REV
1

DESIGNED BY
hh

DATE
23.12.2010

SCALE 2:1 WEIGHT (g)

SHEET 1/1

D

A

4

4

3

3

2

2

1

1