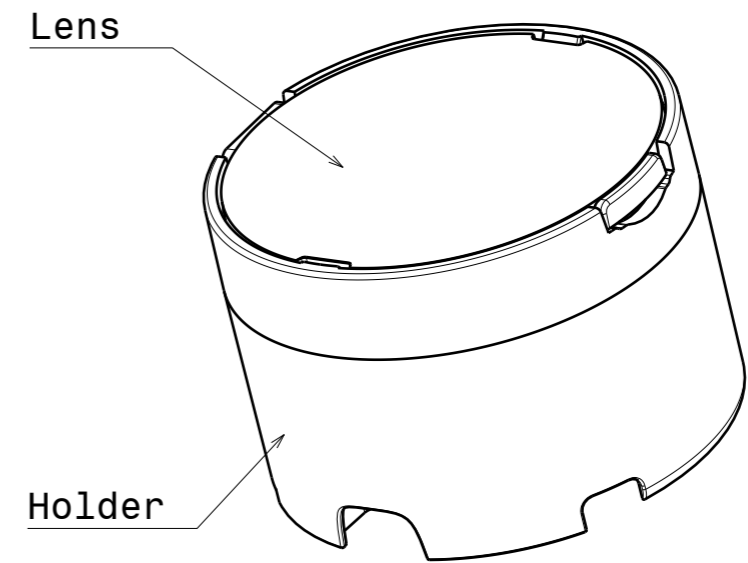
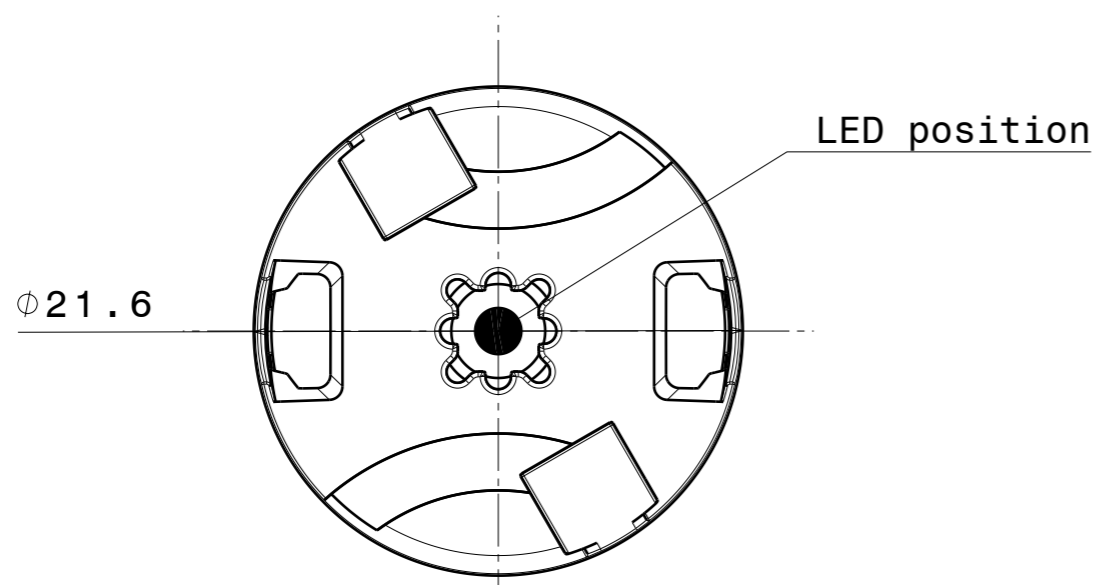


Front view
Scale: 3:1


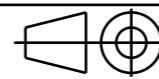


Isometric view
Scale: 3:1



Bottom view
Scale: 3:1

INDEX	PART NO	MATERIAL	COLOUR
1	Lens	PMMA 8N	
2	Holder	PC Makrolon 2407	white

Tolerances if not otherwise shown According to DIN ISO 2768-1 Linear measures: Up to 30mm class M, otherwise class C. According to DIN ISO 2768-2 Form and position: class L		 Ledil Oy Salorankatu 10 FIN 24240 SALO Finland	
THIRD ANGLE PROJECTION: 		DRAWING TITLE Datasheet_LXP3-Series	
This drawing is the property of LEDiL Oy. It may not be reproduced, copied or communicated without a written agreement with LEDiL Oy.		SIZE A3	PART NUMBER Datasheet
		SCALE 3:1	WEIGHT 7,49 g
		SHEET 1/1	