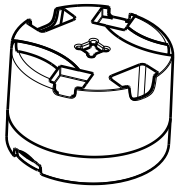


D

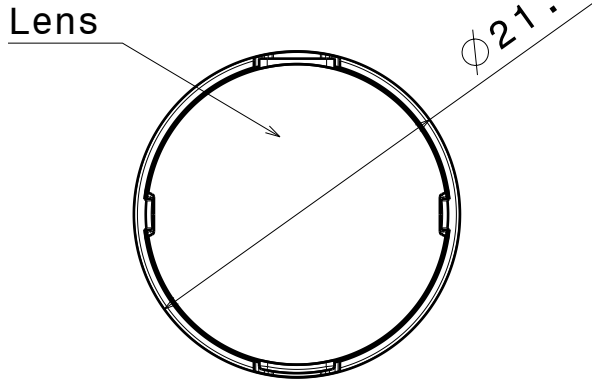
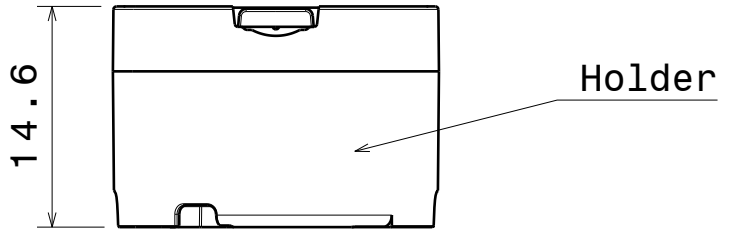
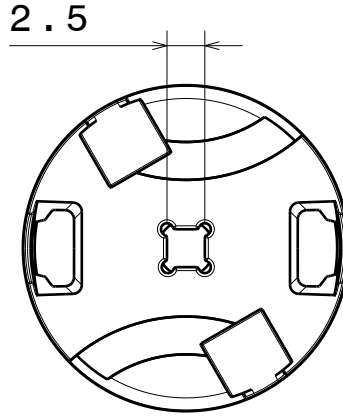
C

B

A



Isometric view
Scale: 1:1



Materials:
Lens PMMA
Holder PC, Black

Tolerances for dimensions:
0-20mm tolerance value +/-0.1mm
21-45mm tolerance value +/-0.2mm
46-90mm tolerance value +/-0.3mm
91-100mm tolerance value +/-0.4mm
101-mm tolerance value +/-0.5mm

This drawing is our property.
It can't be reproduced
or communicated without
our written agreement.



Ledil Oy
Salorankatu 10
FIN 24240 SALO
Finland

DRAWING TITLE

Datasheet LXB3 Glue Assy

DRAWN BY
pv
DATE
11.04.2012

CHECKED BY
sn
DATE
19.01.2012

DESIGNED BY
pv
DATE
19.01.2012

SIZE A4 DRAWING NUMBER - REV 1

SCALE 2:1 WEIGHT (g) SHEET 1/1

A