

D

C

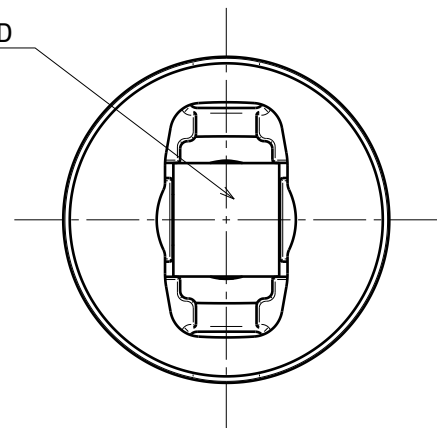
B

A

4

4

LED

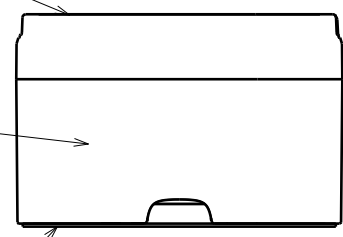


Bottom view

Lens

Holder

Tape 0,2mm



Side view

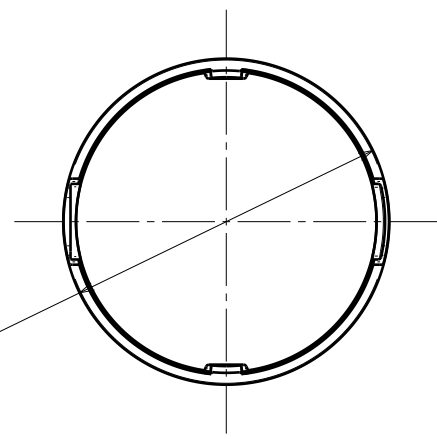
14.04

3

3

2

2



Top view

Ø 21.6

MATERIALS
 Lens: PMMA
 Holder: PC

This drawing is our property.
 It can't be reproduced
 or communicated without
 our written agreement.



L
T
F
F

e
e
i
i
N
n

d

h

DRAWING TITLE

Datasheet LM1-series assy

DRAWN BY
p

DATE
04.11.2008

CHECKED BY
t k

DATE
25.09.2008

SIZE
A4

DRAWING NUMBER

REV
0.1

DESIGNED BY
HH

DATE
24.07.2008

SCALE 2:1

WEIGHT (g) -

SHEET

1/1

1

1

D

A