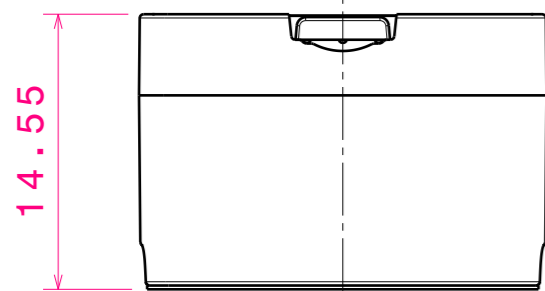
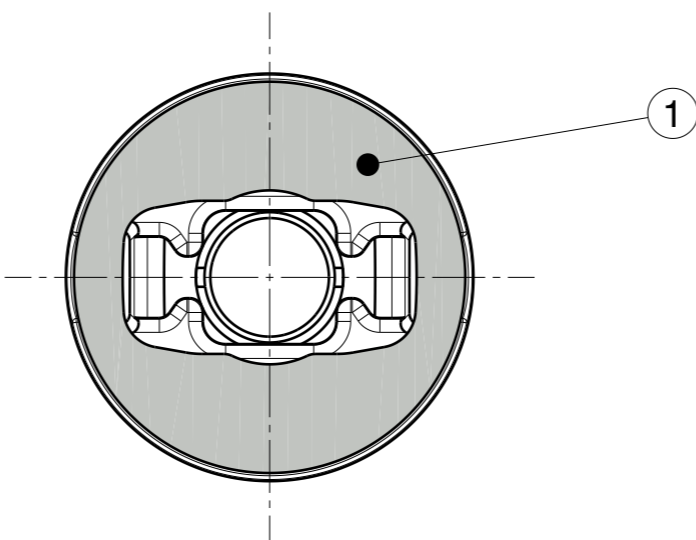


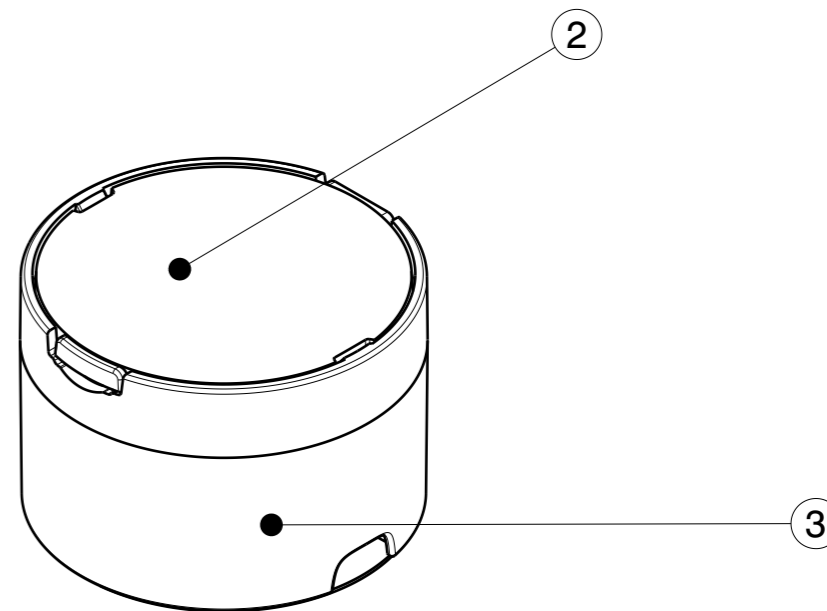
H G F E D C B A



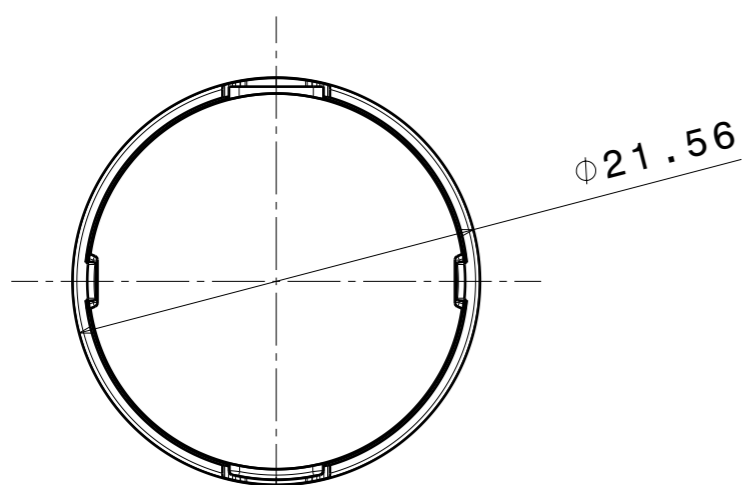
Front view



Bottom view



Isometric view



Top view

INDEX	PART NO	DESCRIPTION	MATERIAL	COLOUR
1	3F10657	LEILA-TAPE	PU 2-sided adhesive foam tape	
2	F10567	LM1-RS	PMMA 8N	
3	F12898	LS5-LH1-TAPE-BLK	PC-Makrolon 2407	black

LEGEND

1	Inspectional dimensions marked with:
2	See CAD file for detailed geometry information. Surface finishing markings are only shown in drawing level.
Surface finish:	-
Finish specifications:	-

Tolerances if not otherwise shown
 According to DIN ISO 2768-1
 Linear measures:
 Up to 30mm class F, otherwise class M.
 According to DIN ISO 2768-2
 Form and position: class K
 Control for SPC marked dimensions.

LEDiL LediL Oy
 Salorankatu 10
 FIN 24240 SALO
 Finland

THIRD ANGLE PROJECTION:

DRAWN BY
 arsi.siuuatti

DATE
 1.2.2013

CHECKED BY
 teemu.heinonen

DATE
 -

DESIGNED BY
 -

DATE
 -

DRAWING TITLE
FA11060_LS5-RS

SIZE	PART NUMBER	REV
A3	FA11060	001
SCALE	5:2	WEIGHT
		4.32 g
SHEET	1/1	

LEDiL PROPRIETARY This drawing is the property of LEDiL Oy. It may not be reproduced, copied or communicated without a written agreement with LEDiL Oy.

H G B A