

D

C

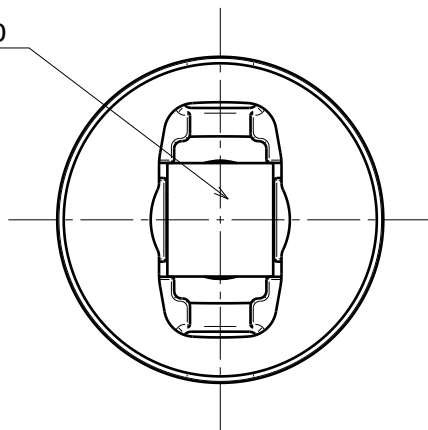
B

A

4

4

LED

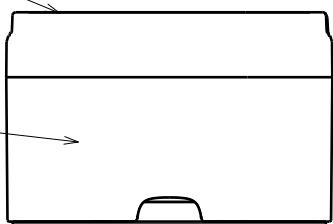


Bottom view

Lens

14.04

Holder



Side view

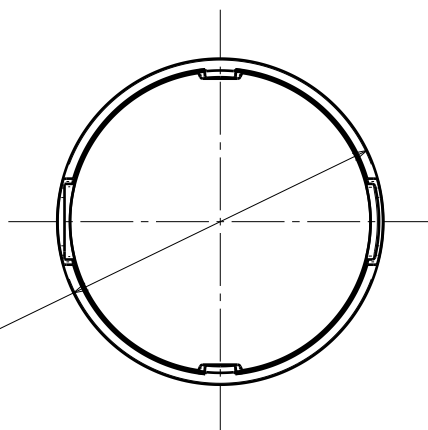
Tape 0,2mm

3

3

2

2



Top view

∅21.6

MATERIALS

Lens: PMMA

Holder: PC

This drawing is our property.
It can't be reproduced
or communicated without
our written agreement.



L
T
F
F

e
e
i
i
N
n

d
h

DRAWING TITLE

Datasheet LM1-series assy

DRAWN BY

DATE

p

04.11.2008

CHECKED BY

DATE

t

k

25.09.2008

DESIGNED BY

DATE

HH

24.07.2008

SIZE

A4

DRAWING NUMBER

REV

0.1

SCALE

2:1

WEIGHT (g)

-

SHEET

1/1

1

1

D

A