

D

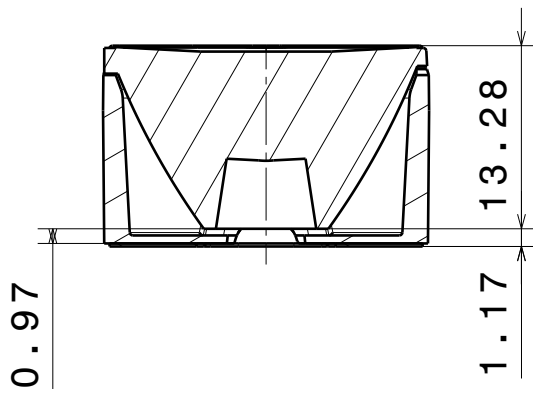
C

B

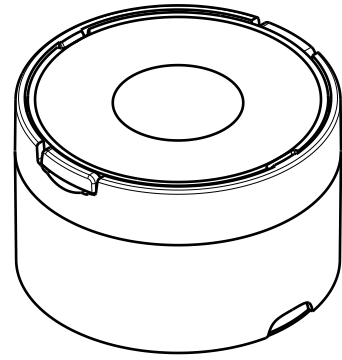
A

4

4



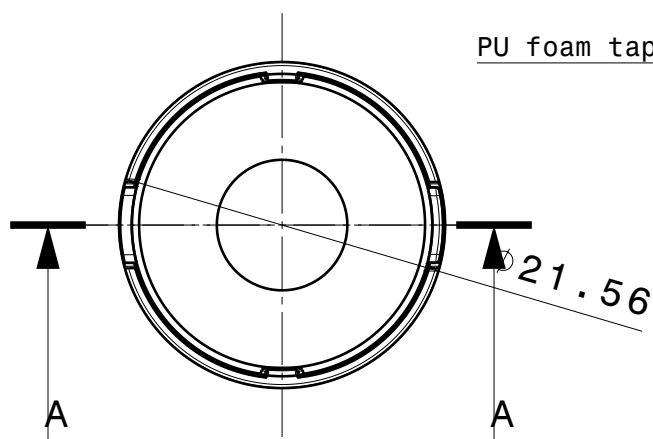
Section view A-A
Scale: 2:1



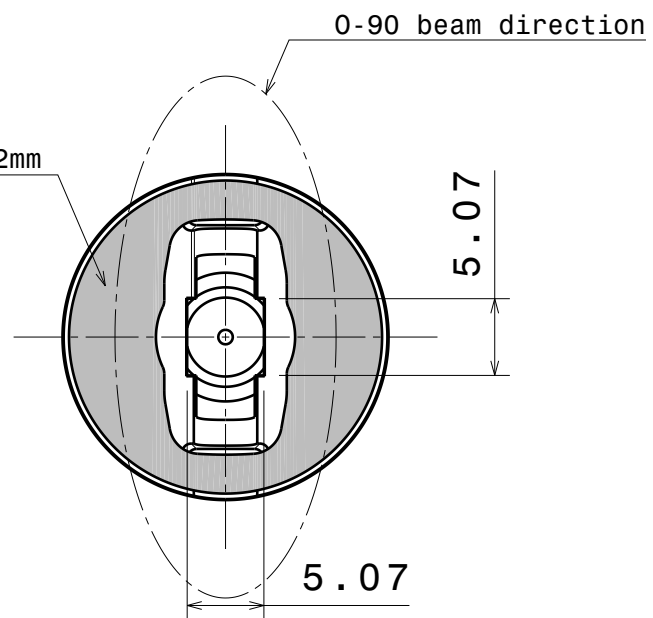
Isometric view
Scale: 2:1

3

3



Front view
Scale: 2:1



Rear view
Scale: 2:1

2

2

INDEX	PART NO	DESCRIPTION	MATERIAL	COLOUR
1	F10699	LN2-LH1-TAPE	PC	black
2	F11093	LN2-0-90	PMMA	

Tolerances if not otherwise shown
According to DIN ISO 2768-1
Linear measures:
Up to 30mm class M, otherwise class C.
According to DIN ISO 2768-2
Form and position: class L

LEDiL Ledil Oy
Salorankatu 10
FIN 24240 SALO
Finland

THIRD ANGLE PROJECTION:

DRAWING TITLE
FA11108_LN2-0-90

This drawing is the property of LEDiL Oy. It may not be reproduced, copied or communicated without a written agreement with LEDiL Oy.

SIZE	PART NUMBER
A4	FA11108

SCALE	2:1	WEIGHT	3,8 g	SHEET	1/1
-------	-----	--------	-------	-------	-----

1

1

D

A