

D

C

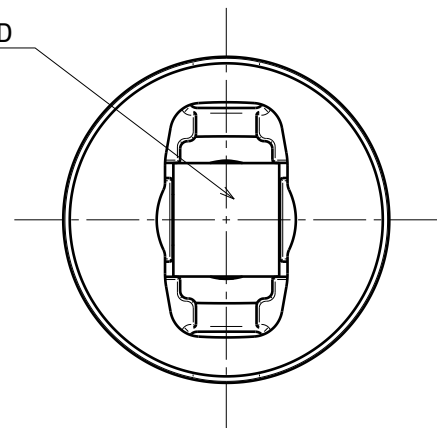
B

A

4

4

LED



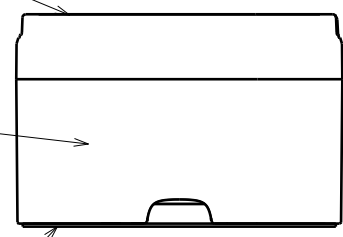
Bottom view

Lens

Holder

Tape 0,2mm

14.04



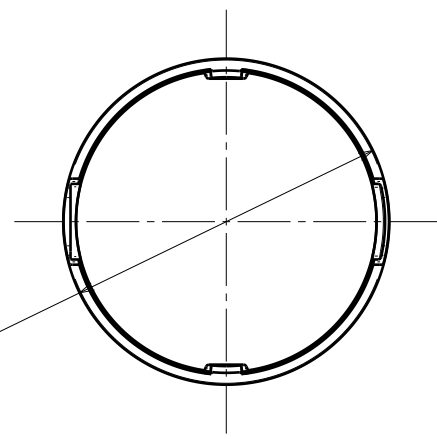
Side view

3

3

2

2



Top view

Ø 21.6

**MATERIALS**  
 Lens: PMMA  
 Holder: PC

This drawing is our property.  
 It can't be reproduced  
 or communicated without  
 our written agreement.



L  
T  
F  
F

e  
e  
i  
i  
N  
n

d

h

DRAWING TITLE

Datasheet LM1-series assy

1

DRAWN BY  
p

DATE  
04.11.2008

CHECKED BY  
t k

DATE  
25.09.2008

SIZE  
A4

DRAWING NUMBER

REV  
0.1

DESIGNED BY  
HH

DATE  
24.07.2008

SCALE 2:1

WEIGHT (g) -

SHEET

1/1

D

A