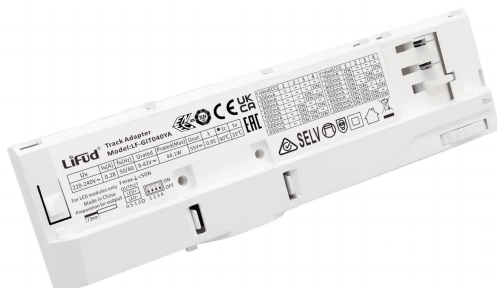


### Features

- High performance; low THD
- Flicker free; high PF
- Suitable for Class I/II light fixtures
- 5-year warranty (please refer to the warranty condition)



### Applications

· Commercial lighting · indoor office lighting · decorative lighting · residential lighting

### Descriptions

LF-GIT040YA is a 44.1W isolated constant current flicker-free LED driver. Its input voltage ranges from 220-240V and its output voltage ranges from 9-42V. Its output current is adjustable from 300-1050mA via DIP switch with every 50mA as a step. It is suitable for Class II light fixtures, including integrated track lighting.

### Product Model

LF - GIT 040 YA



- Y: complies with certifications; A: serial number
- 040: output power
- G: isolated design; IT: in-track

### Lifud Technology Co., Ltd.

Production Base I (HQ): Building B, Kutto Industrial Park, NO.26 Xinhe Road, Bao'an District, Shenzhen, China.  
 Production Base II: No.4, Block 2, Tengfei Road, Shigao Economic Development Zone, Tianfu New Area, Sichuan, China.  
 Website: [www.lifud.com](http://www.lifud.com) Telephone: +86(0)755 8373 9299 Email: [sales@lifud.com](mailto:sales@lifud.com)

### ■ Electrical Characteristics

Model		LF-GIT040YA															
Output	Output Voltage	9-42V															
	Output Current (mA)	300	350	400	450	500	550	600	650	700	750	800	850	900	950	1000	1050
	Ripple Current (<100Hz)	±5%															
	Flicker Index	Complies with IEEE 1789-2015 standard															
	CIE SVM	≤0.4															
	IEC-Pst	≤1															
	Current Tolerance	±6%															
	Temperature Drift	±10%															
Input	Input Voltage	220-240Vac															
	Input Voltage Range	198-264Vac															
	DC Input Voltage	180-264Vdc <sup>①</sup>															
	Input Frequency	0/50/60Hz															
	Input Current	0.28A max.															
	PF	≥0.87				≥0.9				≥0.95							
	THD	≤20%															
	Efficiency	≥86.5%				≥88%				≥88.5%							
	Inrush Current	≤20A <sup>②</sup>															
	Loading Quantities of Circuit Breaker	Model	B10			C10			B16			C16					
		Quantity (pcs)	25			25			40			40					
Leakage Current	≤0.7mA																
Standby Power Consumption	≤0.5W																
Protection Characteristics	Open Circuit	<55V															
	Short Circuit	Hiccup mode (auto-recovery)															
Environment Descriptions	Operating Temperature	-20°C - +35°C															
	Operating Humidity	20-90%RH (no condensation)															
	Storage Temperature/ Humidity	-30°C - 80°C (6 months in Class I environment); 10-90%RH (no condensation)															
	Atmospheric Pressure	86-106kPa															

### ■ Electrical Characteristics

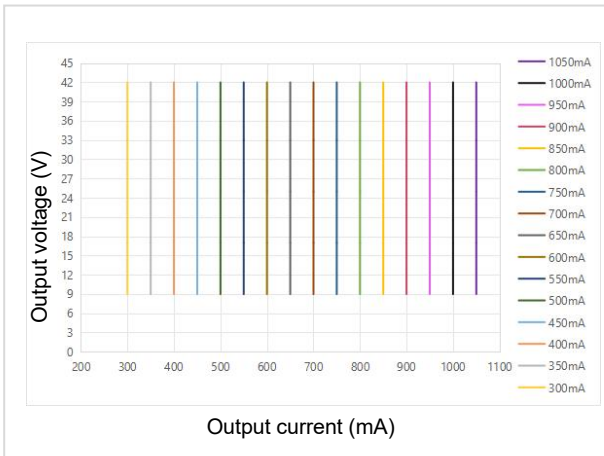
<b>Surge Level</b>	L-N	1kV
<b>Safety &amp; EMC</b>	Certifications	ENEC, CE, CB, UKCA, RCM, EAC
	Withstand Voltage	I/P-O/P: 3.75kV 5mA 60S
	Insulation Resistance	I/P-O/P: >100MΩ@500Vdc
	Safety Standards	ENEC: EN61347-1:2015, EN 61347-2-13:2014/A1:2017, EN 62384: 2016/A1:2009 CE-LVD: EN 61347-2-13:2014/A1:2017, EN 61347-1:2015, EN 62493:2015 UKCA-LVD: EN 61347-1:2015/A1:2021, EN 61347-2-13:2014/A1:2017 EN 62493:2015 RCM: AS 61347.2.13:2018 & AS/NZS 61347.1:2016+A1
	EMI	CE-EMC/RCM: EN55015, EN61000-3-2, EN61000-3-3
	EMS	CE-EMC/RCM: EN61000-4-2, 3, 4, 5, 6, 11
<b>Other Parameters</b>	IP Rating	IP20
	RoHS	RoHS 2.0 (EU) 2015/863
	Tc Max	90°C
	Warranty	5 years <sup>®</sup>
<b>Test Equipment</b>	AC power source: CHROMA6530, digital power meter: CHROMA66202, oscilloscope: Tektronix DPO3014, DC electronic load: M9712B, LED board, constant temperature and humidity chamber, lightning surge generator: Everfine EMS61000-5B, rapid group pulse generator: Everfine EMS61000-4A, spectroanalyzer: KH3935, hi-pot tester: EEC SE7440, flicker tester (flicker-free coefficient test) Everfine LFA-3000, etc.	
<b>Test Remark</b>	If there are no special remarks, the above parameters are tested at the ambient temperature of 25°C, humidity of 50%, maximum output power and input voltage of 230Vac/50Hz.	

**Electrical Characteristics**

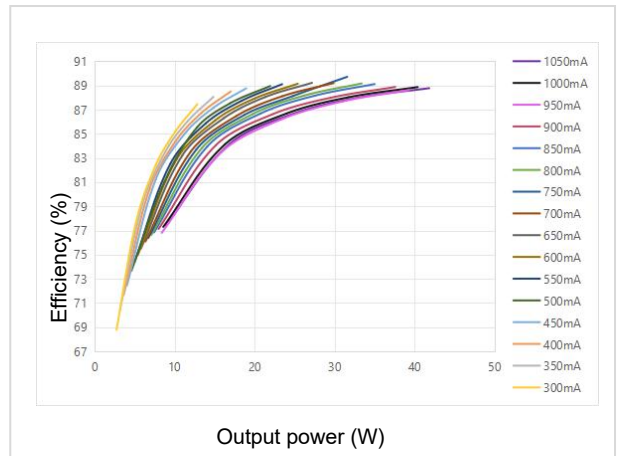
<p><b>Additional Remarks</b></p>	<ol style="list-style-type: none"> <li>1. It is recommended that user install over voltage protection, under voltage protection and surge protection devices in the power supply circuits of light fixtures to ensure electricity safety.</li> <li>2. The PC cover, casing and end cap for assembling the LED driver in the light fixture must meet the fire rating of UL94-V0 or above.</li> <li>3. The LED driver used in combination with the end device is one of the accessories of the whole light fixture, and the EMC of the whole light fixture is not only susceptible to the driver itself, but to the LED light fixture and the whole light fixture's wiring. Thus, the manufacturer of LED light fixture should re-confirm the EMC of the whole light fixture before the whole light fixture is finished.</li> <li>4. The test conditions of the circuit breaker configuration quantity are the same as those of the inrush current.</li> </ol> <p>Note:</p> <ol style="list-style-type: none"> <li>① DC input is only for emergency with the maximum using time of 90 mins</li> <li>② @10uS</li> <li>③ 5 years@Tc&lt;81°C</li> </ol>
----------------------------------	--

**Product Characteristic Curves**

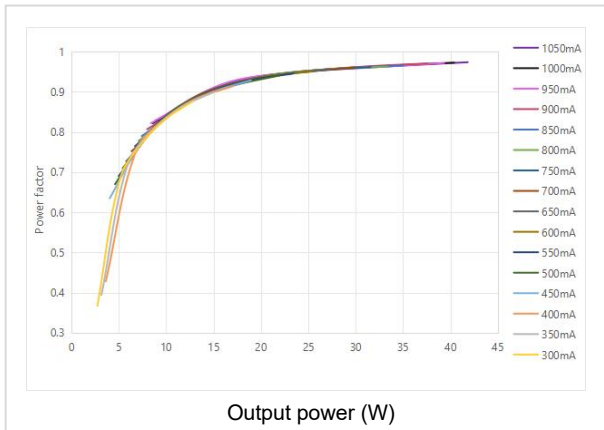
Working Window Curve



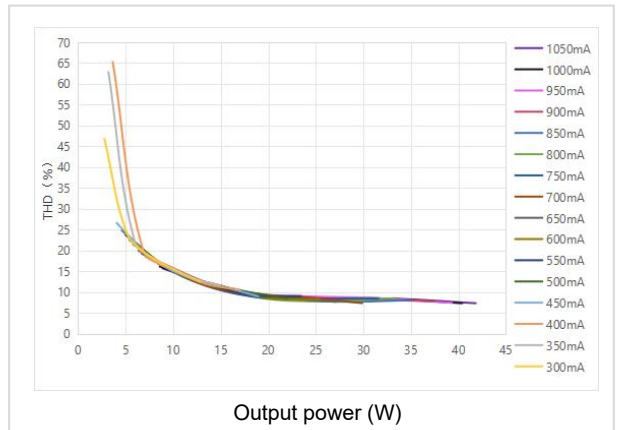
Efficiency Curve



PF Curve

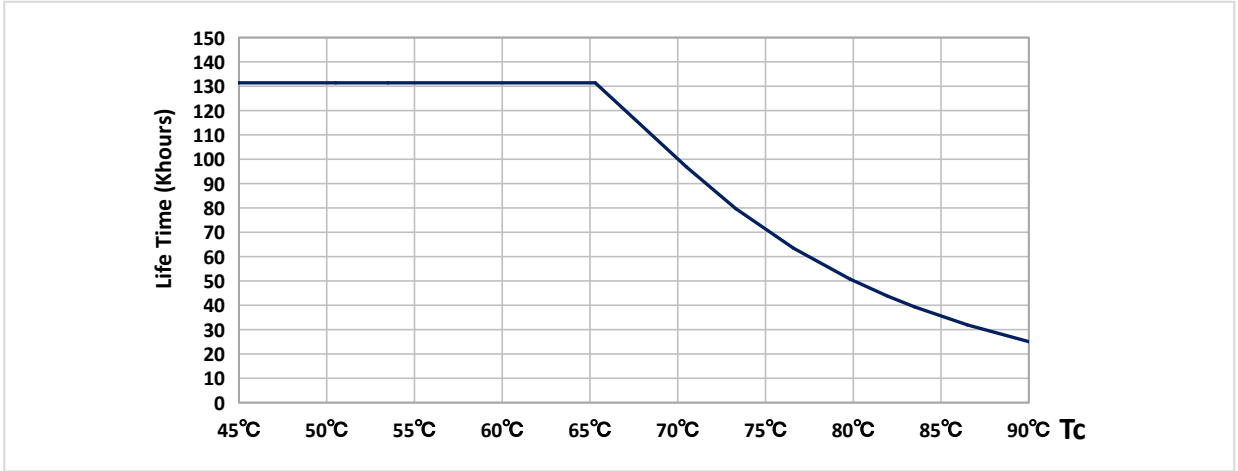


THD Curve

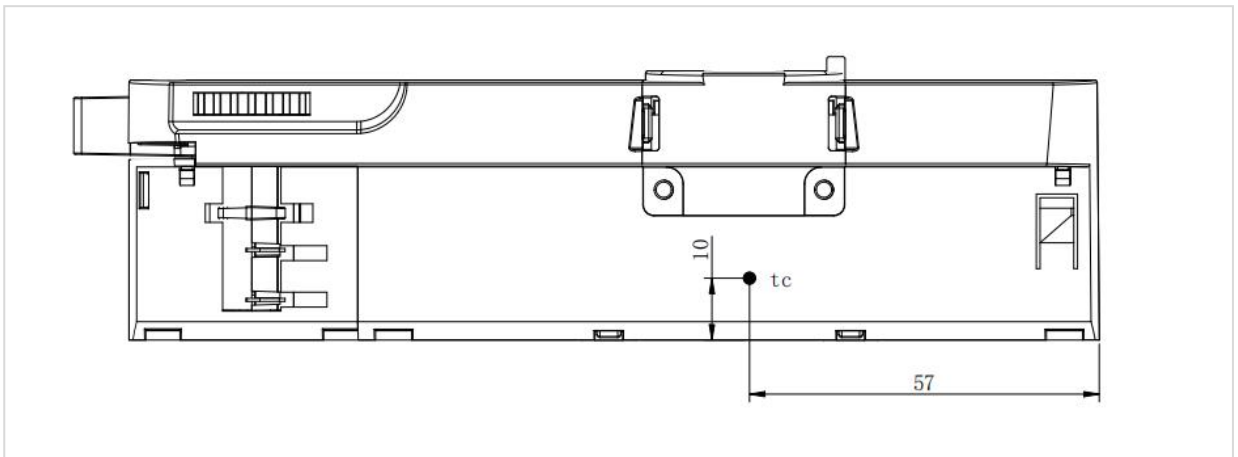


■ **Product Characteristic Curves**

Lifetime Curve



Tc Point Test Diagram



■ **Product Definitions**

Product Terminals

INPUT		OUTPUT	
AC-L	AC live wire input	LED-	Negative electrode output of LED driver
AC-N	AC neutral wire input	LED+	Positive electrode output of LED driver

## ■ Product Definitions

### Product DIP Switch

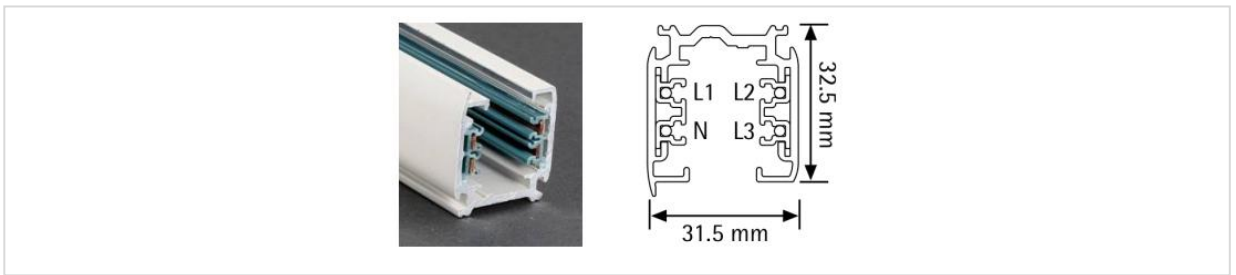
I rated (CC)	1	2	3	4
300mA	-	-	-	-
350mA	-	-	-	ON
400mA	-	-	ON	-
450mA	-	-	ON	ON
500mA	-	ON	-	-
550mA	-	ON	-	ON
600mA	-	ON	ON	-
650mA	-	ON	ON	ON
700mA	ON	-	-	-
750mA	ON	-	-	ON
800mA	ON	-	ON	-
850mA	ON	-	ON	ON
900mA	ON	ON	-	-
950mA	ON	ON	-	ON
1000mA	ON	ON	ON	-
*1050mA	ON	ON	ON	ON

Remark: “-”: shift OFF. “\*”: default current. DIP when power on is NOT allowed. Please disconnect the AC power before DIP.

■ Product Application Track

Number	Brand	Track Type	Phase Position
1	Global	XTS 4 & XTSF 4	3P
2	Eutrac	2510x	3P
3	Ivela	7501	3P
4	Unipro	T32B	3P
5	Stucchi	9000XX Series	3P

■ Diagram of a 4-Wire, 3-Circuit Track

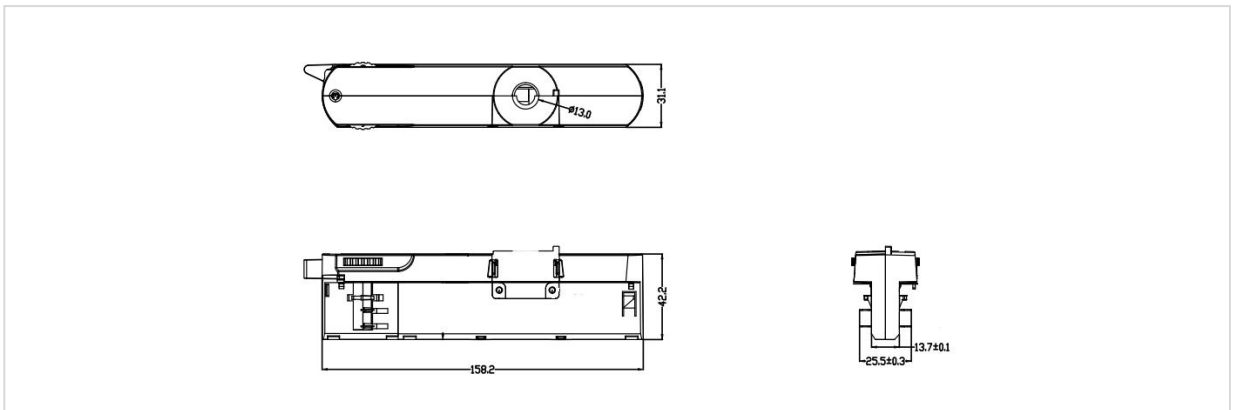


■ Structure & Dimensions (unit: mm)

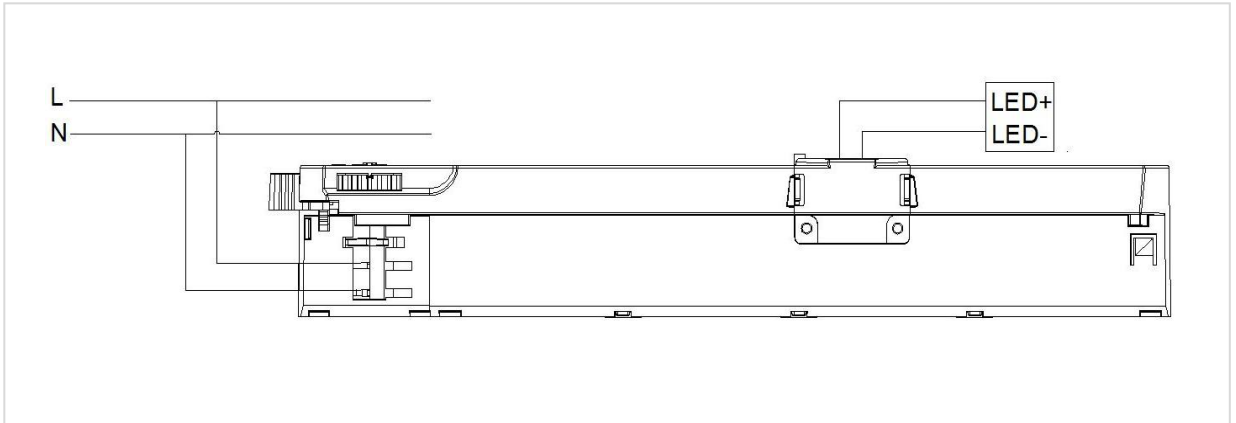
Product Dimensions

Model	Overall Appearance (L*W*H)	Color
LF-GIT040YA	158*42*31mm (±0.5mm)	Black
		White
		Grey

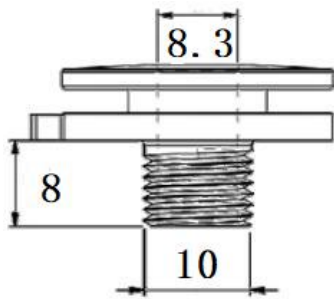
Structure Diagrams



■ **Wiring Diagram**



■ **Screw thread**



Specification	Color
M10*8mm	Black
	White
	Grey

Remark: The screw thread need to be purchased separately and shipped as accessories.

■ **Packaging Specifications**

Model	LF-GIT040YA
Carton Size	385*285*210mm (L*W*H)
Quantity	12 pcs/layer; 3 layers/ctn; 36 pcs/ctn
Weight	0.11 ± 5% kg/pc; 4.94 ± 5% kg/ctn



## ■ Transportation & Storage

### 1. Transportation

- Suitable transportation means: vehicles, boats and aeroplanes.
- In transit, it is necessary to prepare awnings for rain or sun protection. Moreover, please keep civilized loading and unloading to prevent the vibration or impact of LED driver as much as possible.

### 2. Storage

- The storage of LED driver shall conform to the standard of Class I environment. When using LED drivers which have been stored for more than 6 months, please re-test them firstly. Do not use them unless they are tested to be qualified.

## Cautions

- Please use Lifud LED driver according to its parameters in the specification, otherwise the LED driver may malfunction.
- Using any incompatible light fixtures or those that have not been certified may cause fire, explosion or other risks.
- Man-made damage is beyond the scope of Lifud warranty service.

Remark: Lifud Tecology Co., Ltd. reserves the right to interpret any contents of this specification.