

D

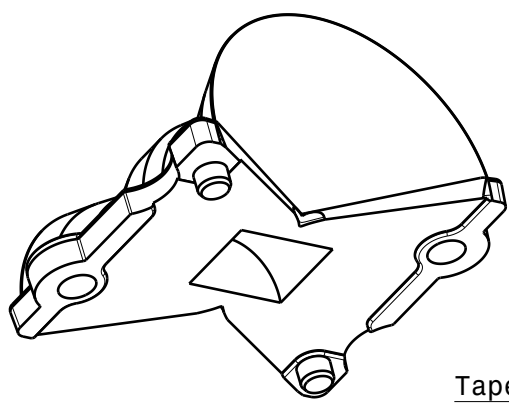
C

B

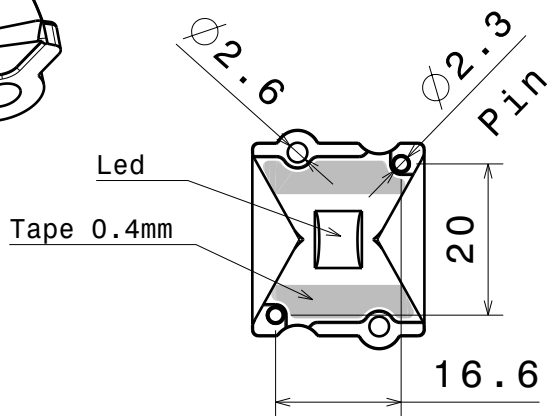
A

4

4



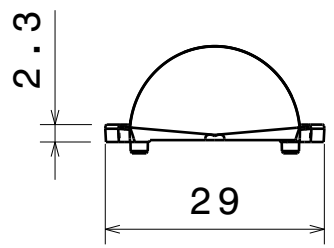
Isometric view
2:1



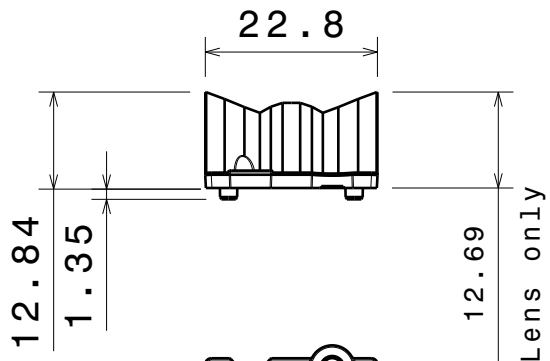
Bottom view

3

3



Right view

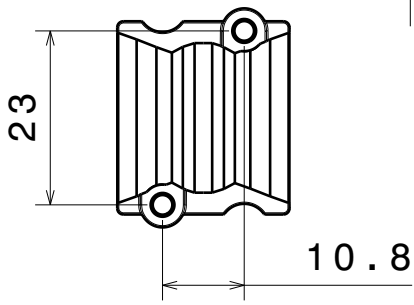


Front view

Part no.s:
CA10932_Flare-B

Part no. without tape fastening:
C10946_Flare-B

MATERIALS
Lens: PMMA
Tape: PU Foam



Top view

2

2

Tolerances if not otherwise shown
According to DIN ISO 2768-1
Linear measures:
Up to 30mm class M, otherwise class C.
According to DIN ISO 2768-2
Form and position: class L

LEDiL LediL Oy
Salorankatu 10
FIN 24240 SALO
Finland

THIRD ANGLE PROJECTION:

DRAWING TITLE
FLARE-B series

This drawing is the property of LEDiL Oy. It may not be reproduced, copied or communicated without a written agreement with LEDiL Oy.

SIZE	PART NUMBER		
A4	-		

SCALE	1:1	WEIGHT	-	SHEET	1/1
-------	-----	--------	---	-------	-----

1

1

D

A