

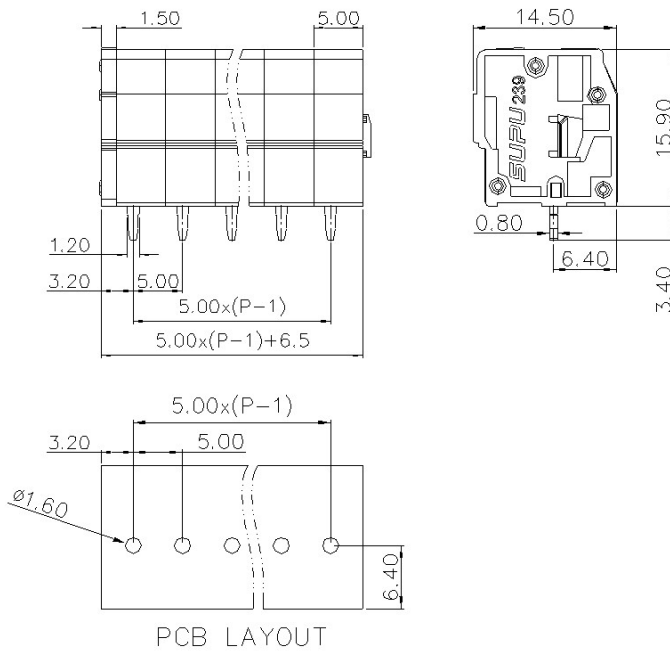
Category: 固定式端子/Plug-in terminal-plug

Product name: 2391XX

Product Description: 5.0mm , 320V , 24A CE



### Product Picture



### 基本信息 /Basic Information

产品型号 SUPU ID	2391XX
产品间距 Pitch	5.0mm
产品层数 Number of levels	1
产品位数 Number of connections	2P-24P
接线方式 Connection method	回拉式弹簧接线Spring cage connection
防护等级 Protection Level	IP20

工作温度 Work temperature	-40~+105℃
--------------------------	-----------

## IEC数据 /IEC Data

额定电流 Rated Current	24A		
额定电压 Rated Voltage	320V		
过压类别 Overvoltage category	III	III	II
污染等级 Pollution degree	3	2	2
额定冲击电压 Rated impulse voltage	4.0KV	4.0KV	4.0KV
额定电压 Rated Voltage	320V	320V	630V
硬导线截面积 Conductor cross section solid	0.2-2.5mm <sup>2</sup>		
柔性导线截面积 Conductor cross section flexible	0.2-2.5mm <sup>2</sup>		
柔性导线截面积，带绝缘管套 Conductor cross section flexible,with furrule	0.2-2.5mm <sup>2</sup>		
锁线螺钉规格 Locking screw Specification	-		
额定扭矩 Rated Torque	-		
固定螺钉规格 Fixed Screw Specification	-		
额定扭矩 Rated Torque	-		
剥线长度 Stripping length	8-9mm		

## UL数据 /UL Data

使用组别 Use group	B	C	D
额定电流 Rated Current	12A	-	10A
额定电压 Rated Voltage	300V	-	300V

额定接线容量 Rated cross section	24-14AWG
-------------------------------	----------

## 材料信息 /Material Data

绝缘材料 Insulation material	PA66
绝缘材料组别 Insulation material group	I
阻燃等级，符合UL94 Flame retardant grade, UL94 compliance	V0
导体材料 Contact material	Copper alloy
导体表面镀层 Surface characteristics	Sn,Plated

## 产品认证 /Product Certification

认证图标  
Certificate



UL证书号  
UL file No.

VDE证书号  
VDE No.

TUV证书号  
TUV No.

Ningbo Supu Electronics Co.,Ltd

Zip code: 315303

Fax: +86 574-63288170

E-mail : askme@supu.cn

Address: No. 625, Kandun Town Street, Cixi  
City, Zhejiang Province

Switchboard: +86 574-63288158

E-mail : askme@supu.cn

Service Hotline: 400-626-6336



Code