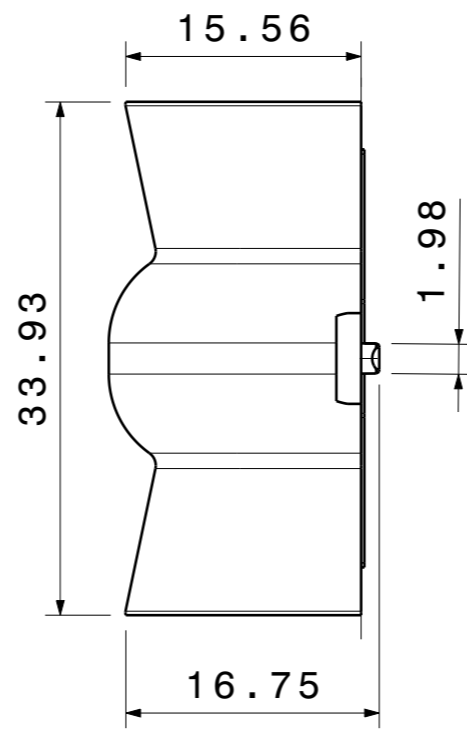
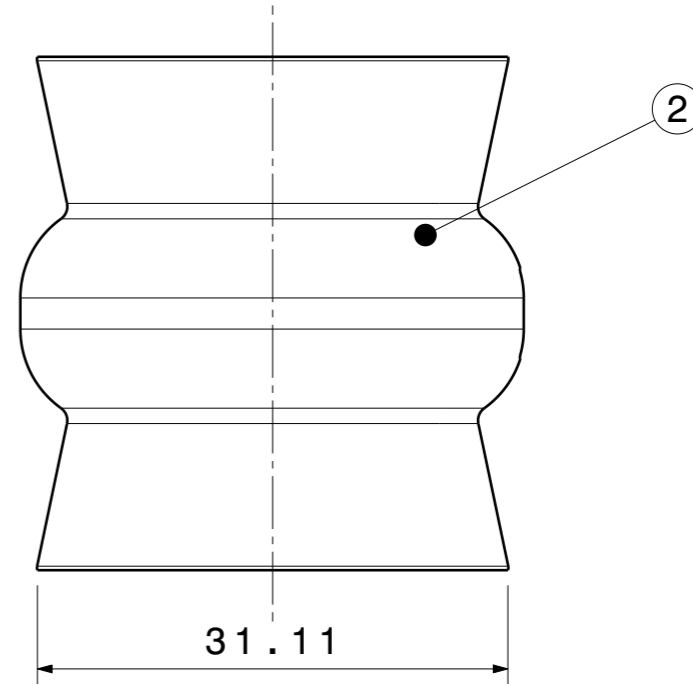


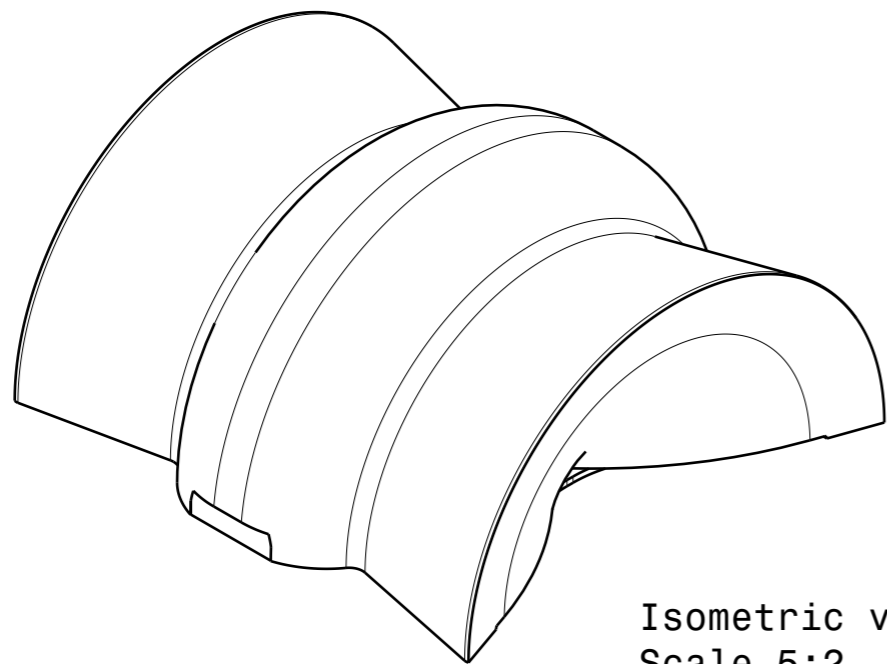
Bottom view



Front view



Top view



Isometric view
Scale 5:2

INDEX	PART	TYPE	MATERIAL	COLOR / COATING
1	C14365	TAPE	SCAPA	BLACK
2	C13012	LENS	PMMA	CLEAR

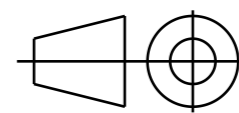
MECHANICAL DRAWING

PRODUCT
FLARE-MAXI-D-TAPE

LEDiL®

Plastic moulding general tolerances according to DIN 16901-130 and applies if not otherwise shown in the drawing. Silicone moulding general tolerances according to ISO 3302-1 Class M3 and applies if not otherwise shown in the drawing.

FIRST ANGLE PROJECTION:



This drawing is the property of LEDiL Oy. It may not be copied or otherwise distributed without prior written permission from LEDiL Oy.

SCALE 2:1

WEIGHT -

A3 SHEET 1/1

Notes

LED location
Ensure LED fitting from a product specific 3D model available from www.ledil.com
For more details about installation please see LEDiL Installation Guide on www.ledil.com