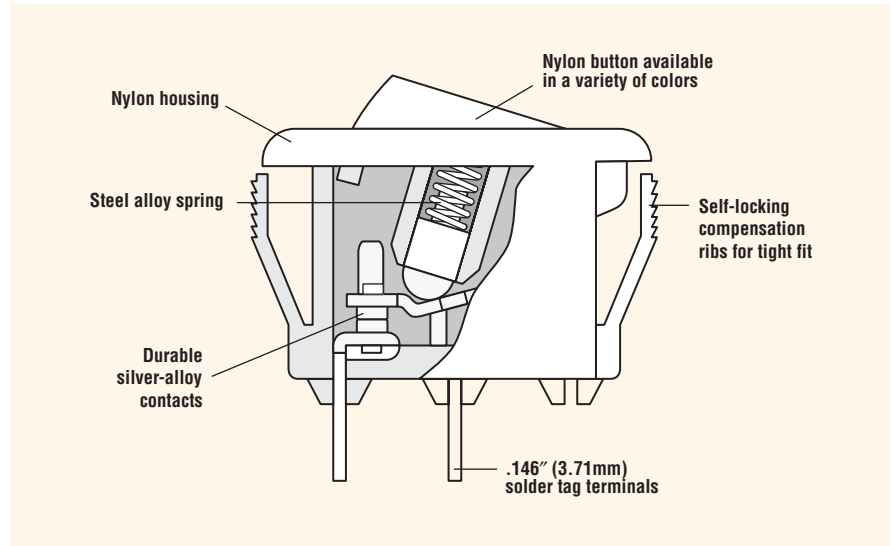


PANEL-MOUNT POWER ROCKER SWITCH

PR Series

Features

- Smallest agency-approved panel-mount power rocker switch
- Available in a variety of colors
- Low-profile design
- Mechanical life: min. 50,000 operations



Electrical Ratings

Switch Series	EN61058 Rating	UL1054 Rating	Electrical Life at Rated Load	
			According to VDE (Min. Operations)	According to UL (Min. Operations)
PR	3A, 250VAC, T100/55	6A, 125VAC, 3A 250VAC	10,000	6,000

Specifications

Electrical

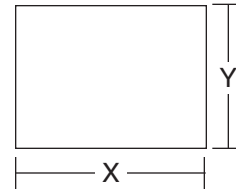
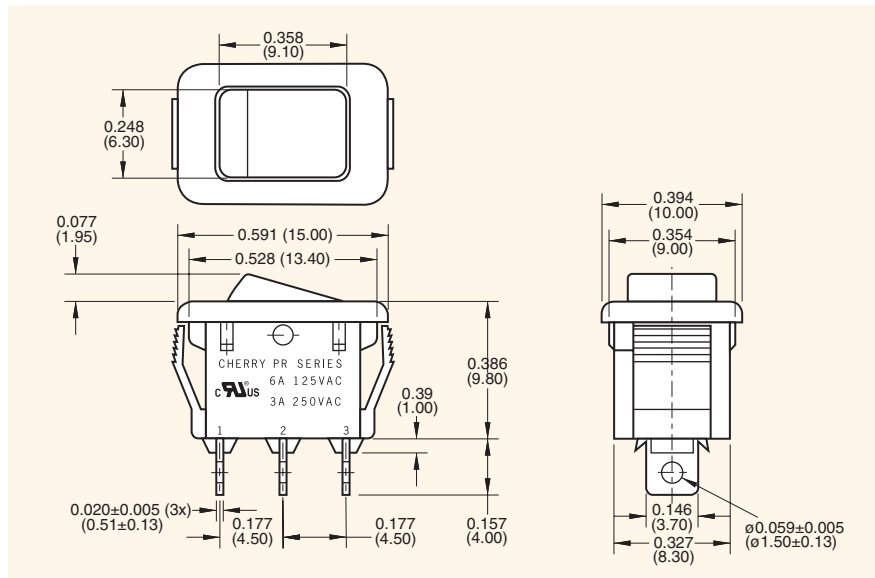
Dielectric Strength:	1000VAC for 1 minute
Insulation Resistance:	10 ⁸ ohms min at 500VDC
Initial Contact Resistance:	20μ ohms max
Temperature Range:	0°C to +100°C (VDE), -20°C to +65°C (UL)

Materials

Actuator:	Nylon 66, UL rated 94V-2
Base:	Nylon 66, UL rated 94V-2
Spring:	Piano Wire
Contacts:	Steel Alloy
Terminals:	Silver-Plated Copper Alloy



Dimensions inches (mm)



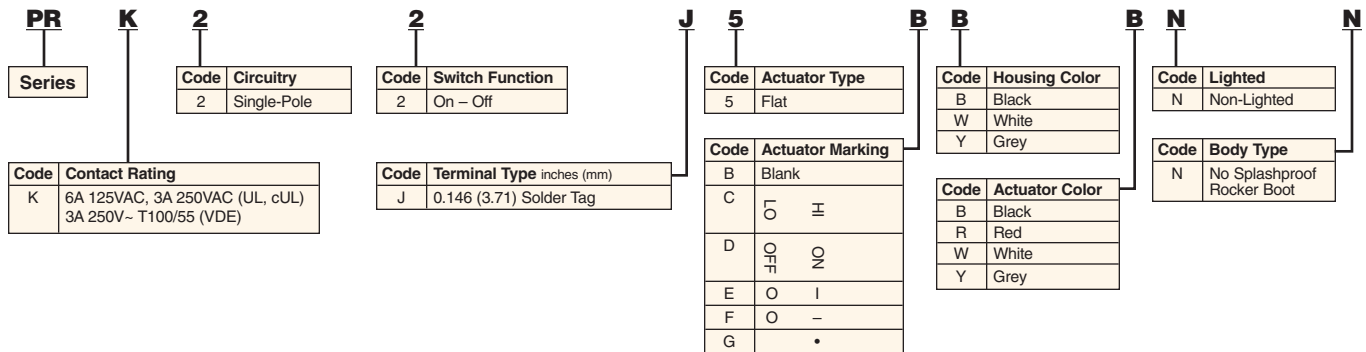
Z = Panel Thickness

Recommended Panel Cut-Out Dimensions

inches (mm)

Dim. Z	Dim. X	Dim. Y
0.030 to 0.049 (0.75 to 1.25)	0.535 (13.6)	0.362 ±0.004 (9.2 ±0.10)
0.049 to 0.079 (1.25 to 2.00)	0.539 (13.7)	0.362 ±0.004 (9.2 ±0.10)
0.079 to 0.098 (2.00 to 2.50)	0.543 (13.8)	0.362 ±0.004 (9.2 ±0.10)

Ordering Information



Examples of Common Part Numbers and Descriptions inches (mm)

Part Number	Circuitry	Switch Function	Terminal Type	Actuator/Housing Color	Legend Marking
PRK22J5BBBNN		On - Off	0.146 (3.71) Solder Tag	Black/Black	
PRK22J5DBBNN		On - Off	0.146 (3.71) Solder Tag	Black/Black	