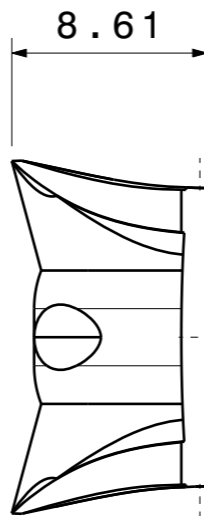
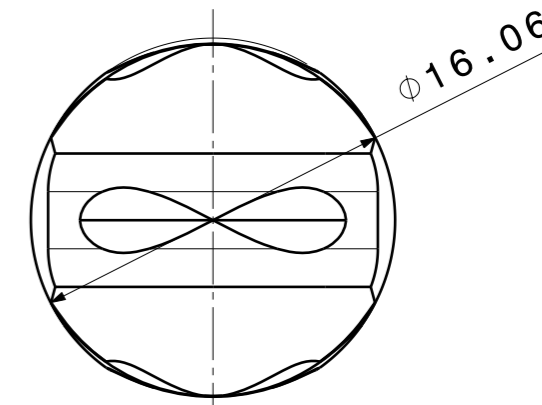


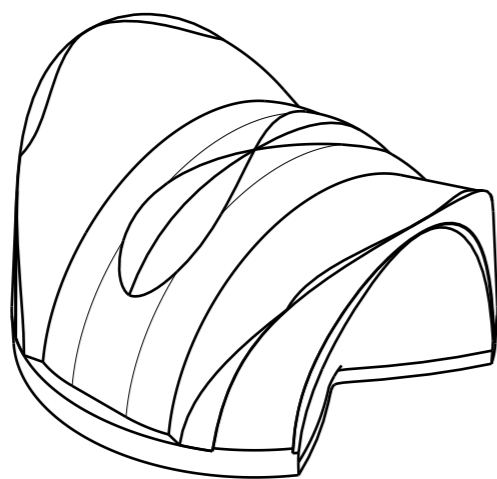
Bottom view



Front view



Top view



Isometric view
Scale 4:1

PART	TYPE	MATERIAL	COLOR / COATING
-	LENS	PMMA	CLEAR

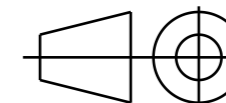
MECHANICAL DRAWING

PRODUCT
FLARE-MINI-A

LEDiL®

Plastic moulding general tolerances according to DIN 16901-130 and applies if not otherwise shown in the drawing.
Silicone moulding general tolerances according to ISO 3302-1 Class M3 and applies if not otherwise shown in the drawing.

FIRST ANGLE PROJECTION:



This drawing is the property of LEDiL Oy. It may not be copied or otherwise distributed without prior written permission from LEDiL Oy.

SCALE 3:1

WEIGHT -

A3 SHEET 1/1

Notes

- LED location
- Ensure LED fitting from a product specific 3D model available from www.ledil.com
- For more details about installation please see LEDiL Installation Guide on www.ledil.com