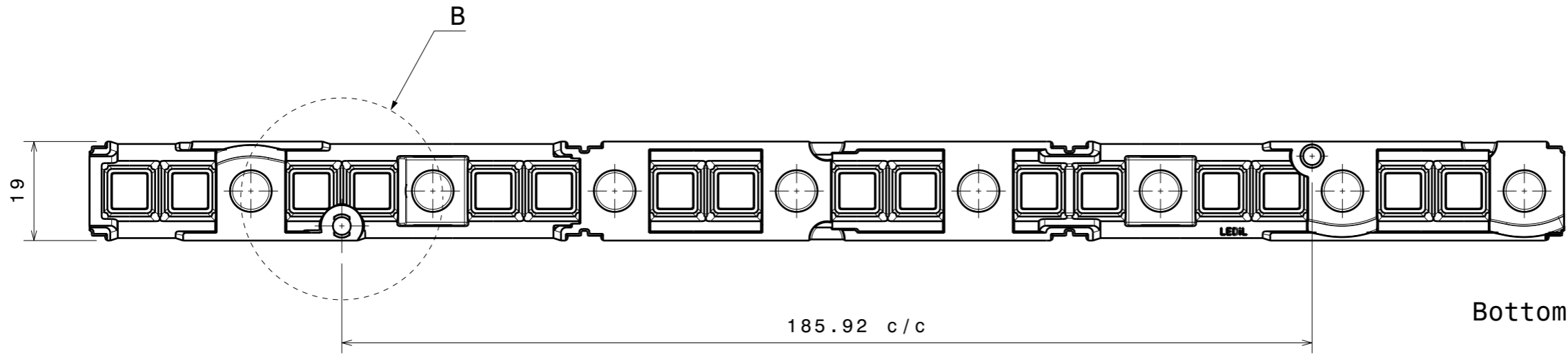


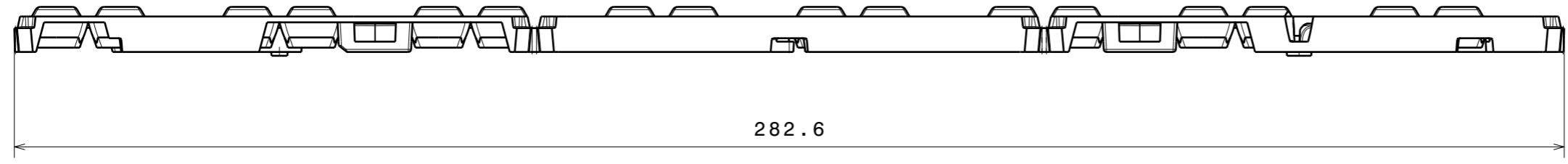
H G F E D C B A

4

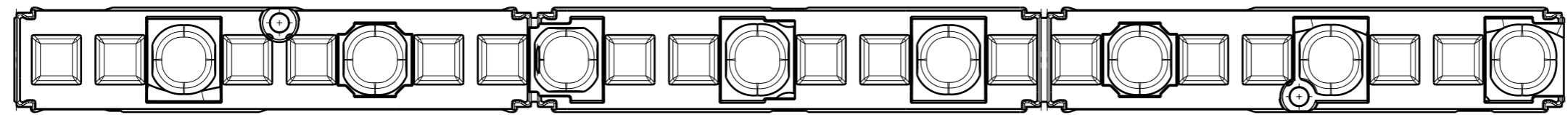


Bottom view

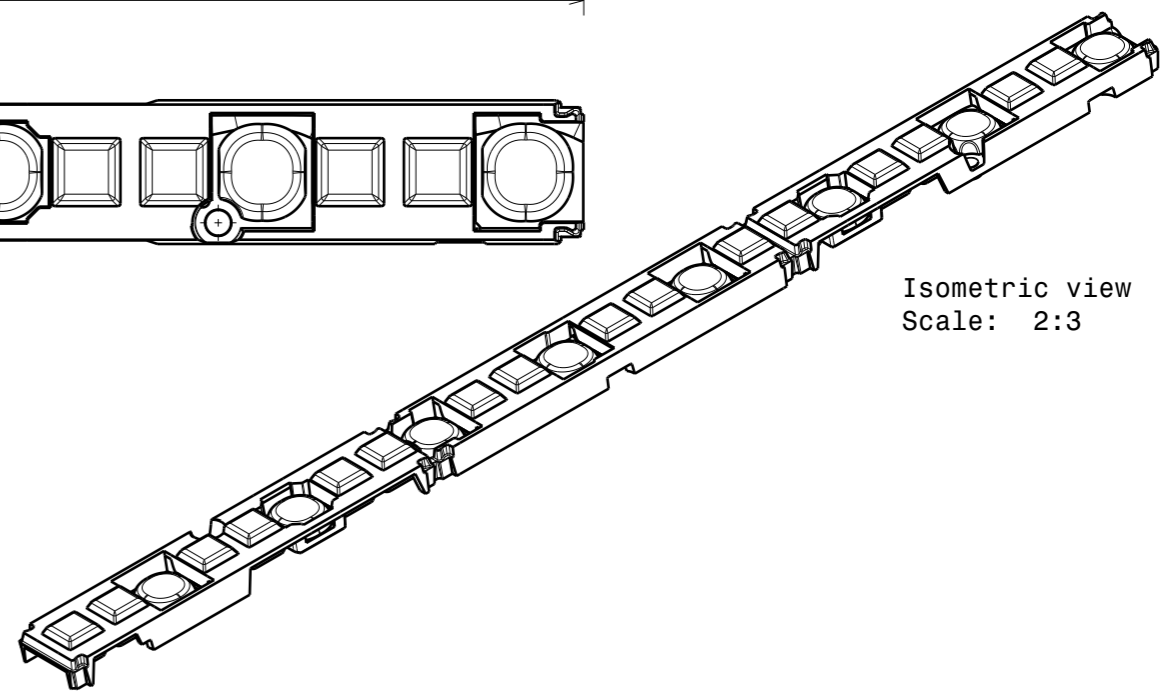
3



Front view

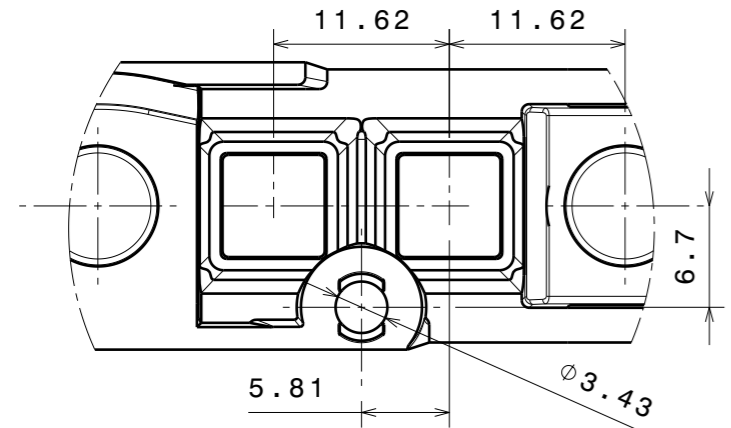


Top view

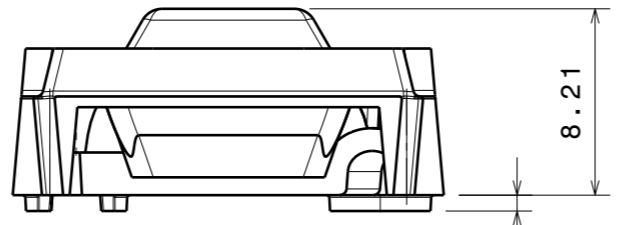


Isometric view
Scale: 2:3

2



Detail B
Scale: 2:1



Left view
Scale: 3:1

1

Tolerances if not otherwise shown
According to DIN ISO 2768-1
Linear measures:
up to 30mm class M, otherwise class C
According to DIN ISO 2768-2
Form and position: class L

LEDiL Ledil Oy
Joensuukatu 13
FIN 24100 SALO
Finland

THIRD ANGLE PROJECTION:

DRAWING TITLE
Datasheet

This drawing is the property of LEDiL Oy. It may not be reproduced, copied or communicated without a written agreement with LEDiL Oy.

SIZE	PART NUMBER		
A3	F15216_FLORENCE-1R-GC-Z90		

SCALE	1:1	WEIGHT		SHEET	1/3
-------	-----	--------	--	-------	-----

H G F E D C B A