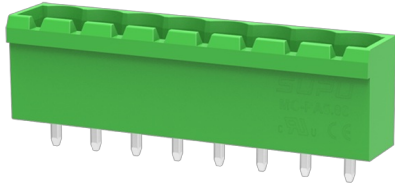


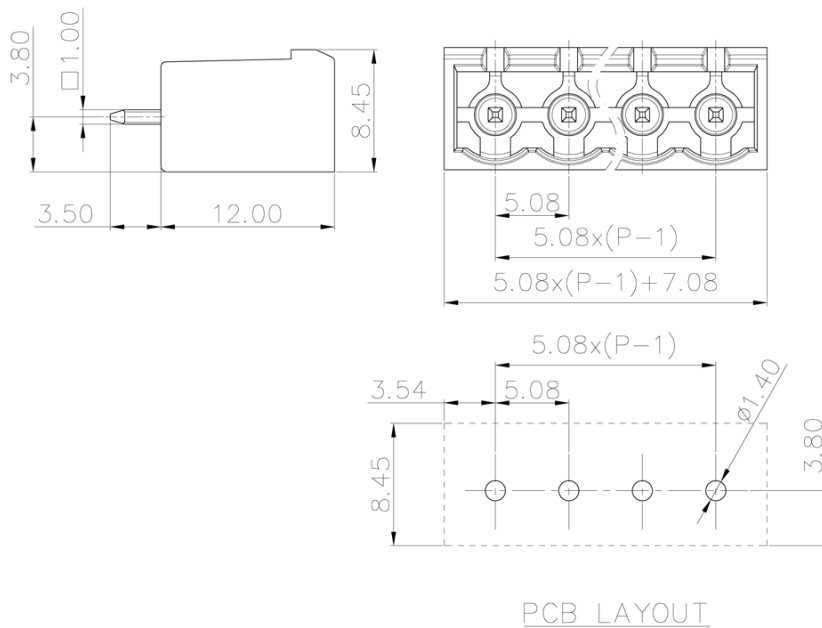
Category: 插拔式端子-插座/Plug-in terminal-plug

Product name: MC-PA5.08VXX-0002

Product Description: 5.08mm , 320V , 18A CE , UL



Product Picture



基本信息 /Basic Information

| | |
|-------------------------------|-------------------|
| 产品型号 SUPU ID | MC-PA5.08VXX-0002 |
| 产品间距 Pitch | 5.08mm |
| 产品层数 Number of levels | 1 |
| 产品位数 Number of connections | 2P-24P |
| 接线方式 Connection method | - |
| 防护等级 Protection Level | IP20 |

| | |
|--------------------------|------------|
| 工作温度 Work temperature | -40~+105°C |
|--------------------------|------------|

IEC数据 /IEC Data

| | | | |
|--|------|------|------|
| 额定电流 Rated Current | 18A | | |
| 额定电压 Rated Voltage | 320V | | |
| 过压类别 Overvoltage category | III | III | II |
| 污染等级 Pollution degree | 3 | 2 | 2 |
| 额定冲击电压 Rated impulse voltage | 4KV | 4KV | 4KV |
| 额定电压 Rated Voltage | 250V | 320V | 630V |
| 硬导线截面积 Conductor cross section solid | - | | |
| 柔性导线截面积 Conductor cross section flexible | - | | |
| 柔性导线截面积，带绝缘管套 Conductor cross section flexible,with furrule | - | | |
| 锁线螺钉规格 Locking screw Specification | - | | |
| 额定扭矩 Rated Torque | - | | |
| 固定螺钉规格 Fixed Screw Specification | - | | |
| 额定扭矩 Rated Torque | - | | |
| 剥线长度 Stripping length | - | | |

UL数据 /UL Data

| | | | |
|-----------------------|------|---|------|
| 使用组别 Use group | B | C | D |
| 额定电流 Rated Current | 15A | - | 10A |
| 额定电压 Rated Voltage | 300V | - | 300V |

额定接线容量
Rated cross section -

材料信息 /Material Data

| | |
|--|--------------|
| 绝缘材料 Insulation material | PA66 |
| 绝缘材料组别 Insulation material group | I |
| 阻燃等级，符合UL94 Flame retardant grade, UL94 compliance | V0 |
| 导体材料 Contact material | Copper alloy |
| 导体表面镀层 Surface characteristics | Sn,Plated |

产品认证 /Product Certification

认证图标
Certificate



UL证书号
UL file No. E330768-20161214

VDE证书号
VDE No.

TUV证书号
TUV No.

CE证书号
CE No. 0B181010.NSET013

Ningbo Supu Electronics Co.,Ltd

Zip code: 315303

Fax: +86 574-63288170

E-mail : askme@supu.cn

Address: No. 625, Kandun Town Street, Cixi
City, Zhejiang Province

Switchboard: +86 574-63288158

E-mail : askme@supu.cn

Service Hotline: 400-626-6336



Code

File date : 2024-10-02 20:08

Product Entry : 2023-09-20

The right to modify data belongs to
Supu.