

Customer Information Sheet

DRAWING No.: M22-713XXX

SHEET 2 OF 2

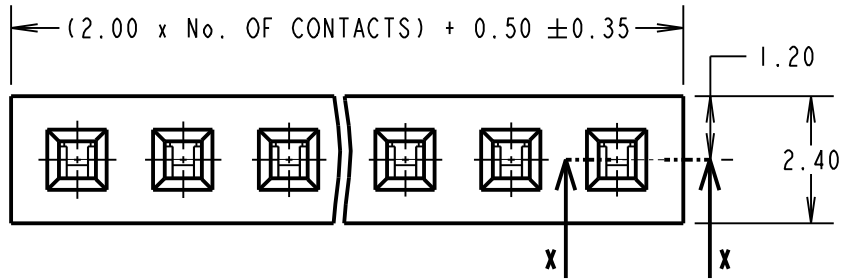
IF IN DOUBT - ASK

©

NOT TO SCALE

THIRD ANGLE PROJECTION

ALL DIMENSIONS IN mm



ORDER CODE:

M22-713XX42

No. OF CONTACTS: _____
03 TO 32

FINISH: _____
42 = GOLD FLASH ON CONTACT,
100% TIN ON TAILS

SPECIFICATION:

MATERIAL:

MOULDING = LCP UL94V-0, BLACK

CONTACTS = PHOSPHOR BRONZE

FINISH: (OVER NICKEL)

42 = 0.76 - 1.27µ NICKEL ALL OVER,
GOLD ON CONTACT AREA,
2.54µ 100% TIN ON TAILS

MECHANICAL:

INSERTION FORCE = 2N MAX PER PIN

WITHDRAWAL FORCE = 0.2N MIN PER PIN

ELECTRICAL:

CURRENT RATING = 2A AC/DC

CONTACT RESISTANCE = 20mΩ MAX

INSULATION RESISTANCE = 1000MΩ MIN

DIELECTRIC WITHSTANDING = 500V AC FOR 1 MIN

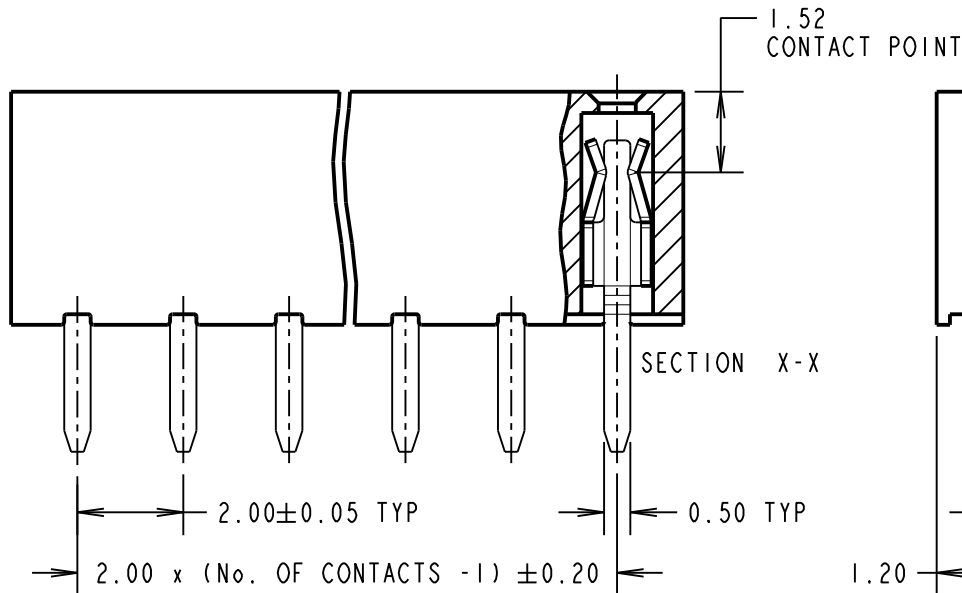
ENVIRONMENTAL:

TEMPERATURE RANGE = -25° TO +105°

PACKING:

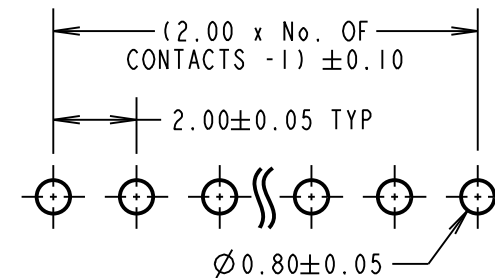
TUBE

FOR COMPLETE SPECIFICATION SEE COMPONENT
SPECIFICATION C018XX (LATEST ISSUE)



NOTE:

1. ALL TOLERANCES ARE ±0.15, UNLESS OTHERWISE STATED.



RECOMMENDED PCB LAYOUT

SB	7	27.02.13	11942
NAME	ISS.	DATE	C/NOTE
APPROVED:		S.BENNETT	
CHECKED:		S.FLOWER	
DRAWN:		J. EVANS	
CUSTOMER REF.:			
ASSEMBLY DRG:			

HARWIN

www.harwin.com
technical@harwin.com

THIS DRAWING AND ANY INFORMATION OR DESCRIPTIVE MATTER SET OUT HEREON ARE CONFIDENTIAL AND COPYRIGHT PROPERTY OF THE HARWIN GROUP AND MUST NOT BE DISCLOSED, LOANED, COPIED OR USED FOR MANUFACTURING, TENDERING OR FOR ANY OTHER PURPOSE WITHOUT THEIR WRITTEN PERMISSION.

TOLERANCES

X = ±1mm
X.X = ±0.25mm
X.XX = ±0.10mm
X.XXX = ±0.01mm
ANGLES = ±5°
UNLESS STATED

MATERIAL:

SEE ABOVE

FINISH:

SEE ABOVE

S/AREA:

mm²

TITLE:

2.00mm PITCH SIL
VERTICAL SOCKET ASSEMBLY

DRAWING NUMBER:

M22-713XXXX

SHT

2 OF 2