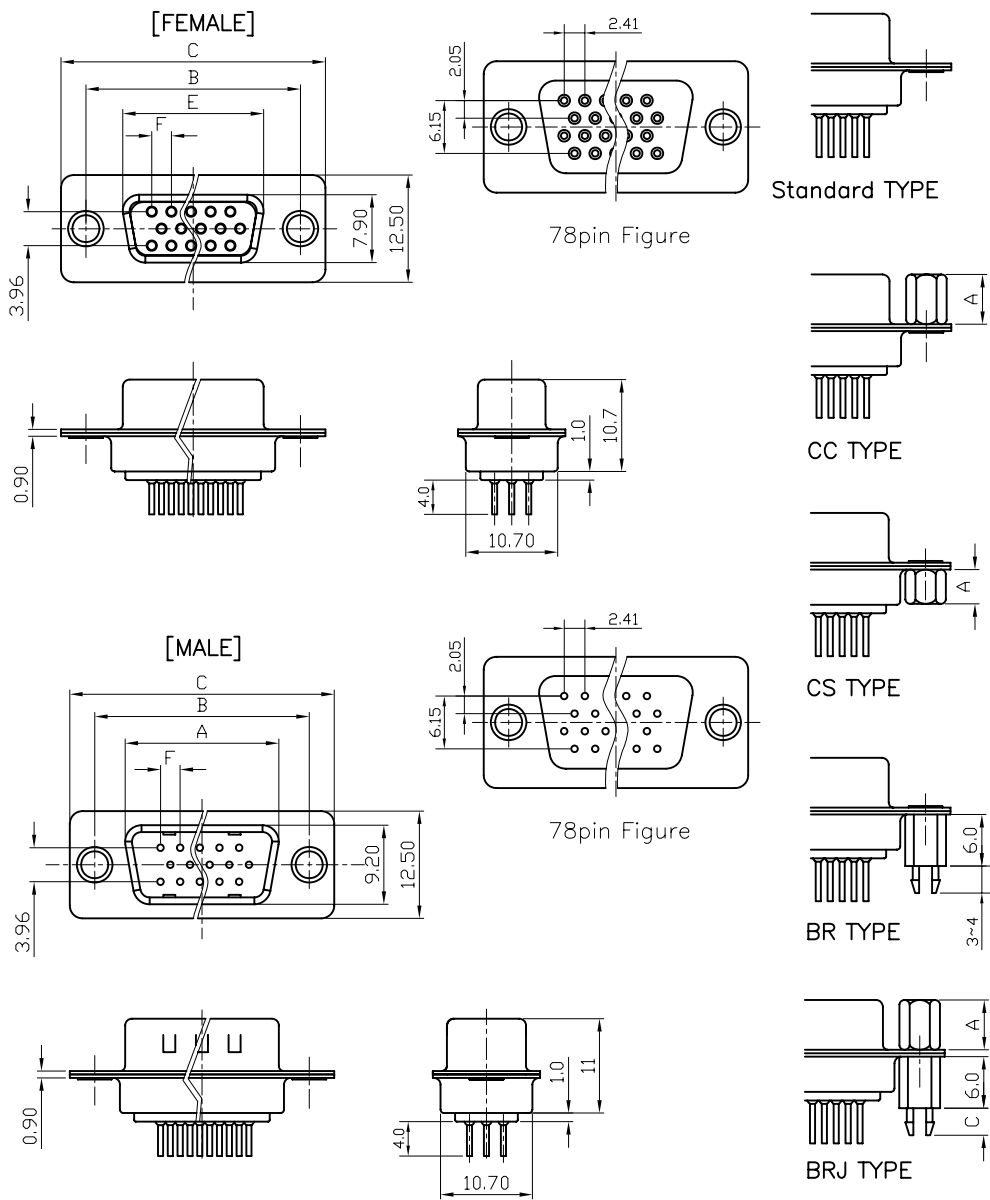


REV.	DESCRIPTION	DRAWN	CHECKED	APPROVED



NOTES:

- ELECTRICAL CHARACTERISTICS:
 - CONTACT RESISTANCE: 20mΩ Max. INITIAL.
 - DIELECTRIC WITHSTANDING VOLTAGE: 500V AC(rms) FOR 1 MINUTE.
 - INSULATION RESISTANCE: 1000MΩ Min.
- ENVIRONMENT CHARACTERISTICS:
 - OPERATING TEMPERATURE: 0°C~+85°C.
 - STORAGE TEMPERATURE: -20°C~+70°C.
- PART NUMBER: DS1077
- PRODUCT NUMBER CODE:

DS1077- X X X X X X X

- SCREW DIM. A
 - S: Standard(W/O nut)
 - 1: 5.00
 - 2: 3.00
 - 3: 5.20
 - 4: 4.80
 - 5: 5.80
- SCREW TYPE
 - S: Standard(W/O nut)
 - 1: CC TYPE
 - 2: CS TYPE
 - 3: BR TYPE
 - 4: BRJ TYPE DIM. DIM C: 3~4
 - 5: BRJ TYPE DIM. DIM C: 5~6
- CONTACT PLATING
 - SI: FULL GOLD FLASH
 - 0: SELECTIVE GOLD FLASH
- SHELL PLATING
 - T:FORNT & BACK SHELL TIN
 - N:FORNT SHELL NICKEL,BACK SHELL TIN
- HOUSING COLOR
 - B:BLACK
 - W:WHITE
 - U:BLUE
- CONNECTOR TYPE
 - M:MALE
 - F:FEMALE
- No.OF CONTACTS
 - 15 26 44 62 78
- SERIES No. DS1077

Dimension

Position	A	B	C	E	F
15	17.90	24.99	30.80	16.33	2.29
26	26.50	33.32	39.14	24.66	2.29
44	40.00	47.04	53.04	38.38	2.29
62	56.50	63.50	69.32	54.84	2.41
78	54.30	61.00	67.04	52.34	2.41

GENERAL TOLERANCE	ANGLE TOLERANCE	PROJECTION	TITLE	D-SUB H.DIP STRAIGHT TYPE	
X. ±0.60	X. ±5°	UNITS	mm		
.X ±0.38	.X ±3°	SHEET SIZE	A4	SERIES	DS1077 SERIES
.XX ±0.25	.XX ±2°	DHB-15F, DHB-15M, DHB-26F, DHB-26M, DHB-44F, DHB-44M, DHB-62F, DHB-62M			
DRAWING TYPE	CUSTOMER				
SCALE	1:1	SHEET	1 OF 1		
DRAWING NO.	C-DS1077-XXXXXXX				