

D

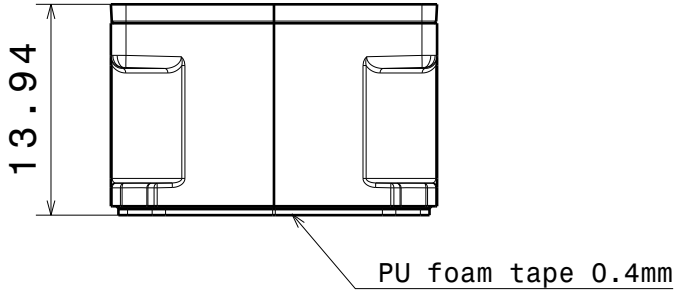
C

B

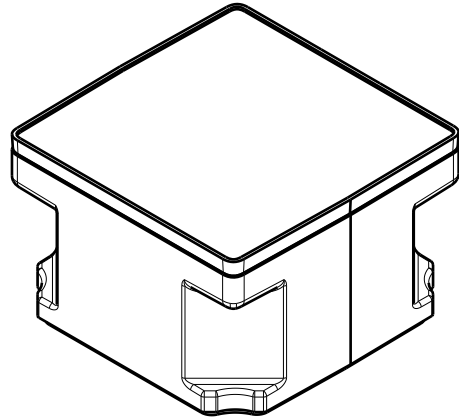
A

4

4

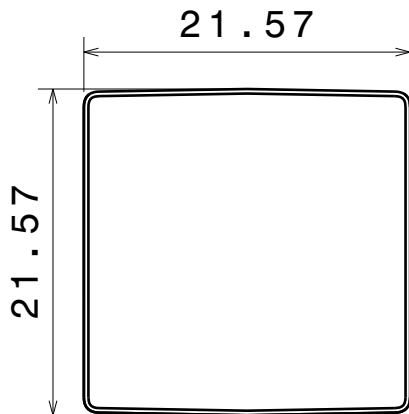


Front view

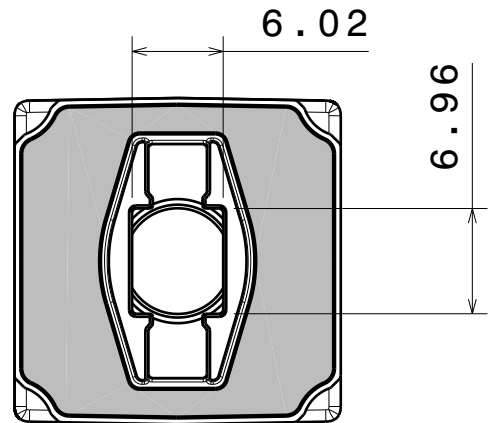
Isometric view
Scale: 2:1

3

3



Top view



Bottom view

2

2

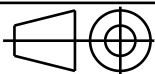
INDEX	PART NO	DESCRIPTION	MATERIAL	COLOUR
1	C10346	ROSE-HLD	PC	white
2	C10519	ROSE2-SS	PMMA	

Tolerances if not otherwise shown
According to DIN ISO 2768-1
Linear measures:
up to 30mm class M, otherwise class C
According to DIN ISO 2768-2
Form and position: class L

LEDiL

Ledil Oy
Salorankatu 10
FIN 24240 SALO
Finland

THIRD ANGLE PROJECTION:



DRAWING TITLE

CA10560_OSS-2-SS

This drawing is the property
of LEDiL Oy. It may not be
reproduced, copied or
communicated without a written
agreement with LEDiL Oy.

SIZE PART NUMBER

A4

CA10560

SCALE	1:1	WEIGHT	4,6 g	SHEET	1/1
-------	-----	--------	-------	-------	-----

1

1

D

A