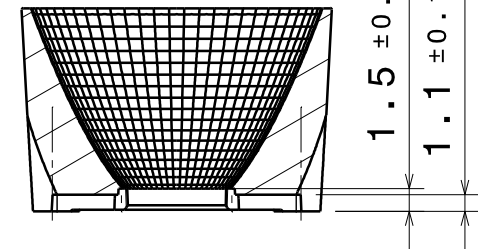
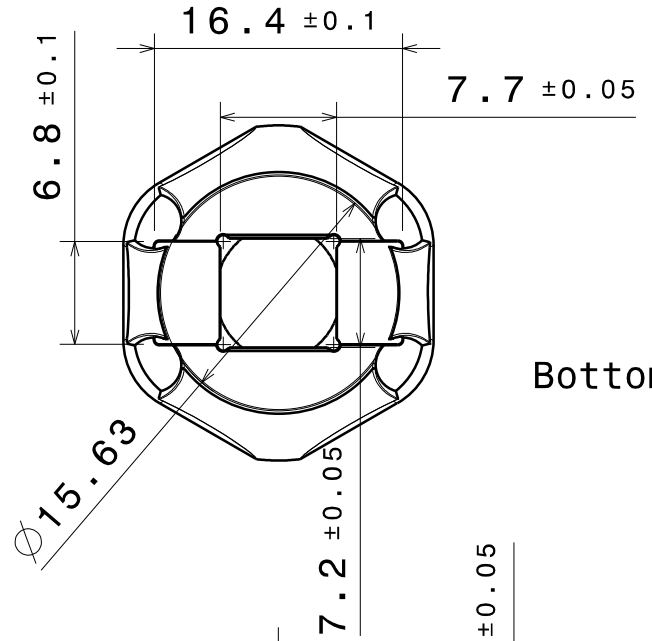


D C B A

4

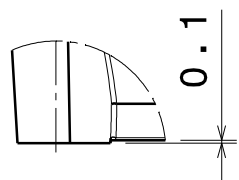


Section view -

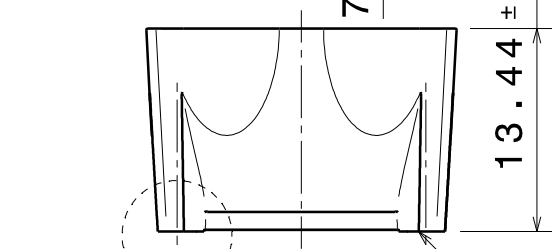


Bottom view

3

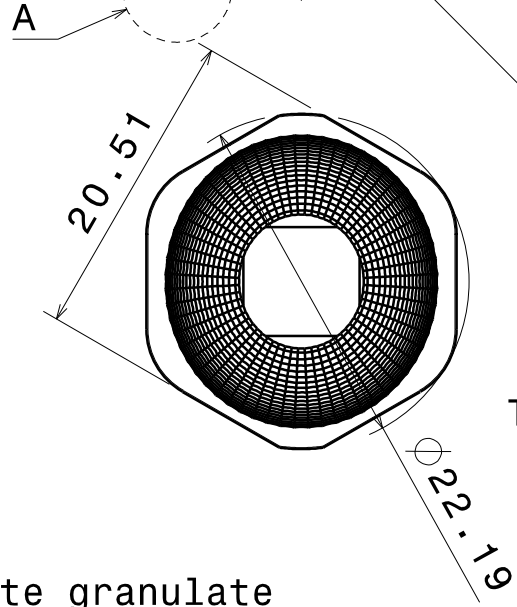


Detail A
Scale: 4:1



Side view

NOTE! only lacquer to bottom area, NO metal coating.



Top view

2

Material: PC 2407 White granulate

Coating: metal+clear lacquer
Note: Reflectivity requirement 85%

1

This drawing is our property. It can't be reproduced or communicated without our written agreement.



Ledil Oy
Tehdaskatu 13
FIN-24100 SALO
Finland

DRAWING TITLE

Boom-reflector Spot MC-E

DRAWN BY
ah
DATE
30.09.2008

CHECKED BY
HH
DATE
28.09.2009

DESIGNED BY
pv
DATE
04.07.2008

SIZE A4	DRAWING NUMBER C10569	REV 3
------------	--------------------------	----------

SCALE 2:1	WEIGHT (g)	SHEET 1/1
--------------	------------	--------------

D

A

4

3

2

1