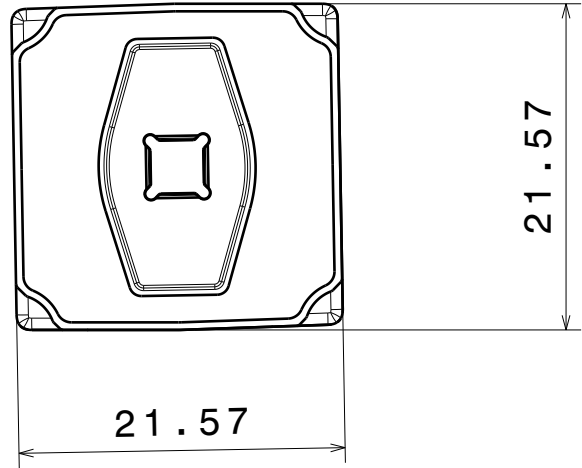
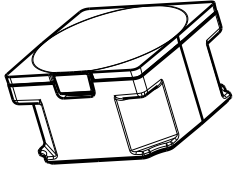


D

C

B

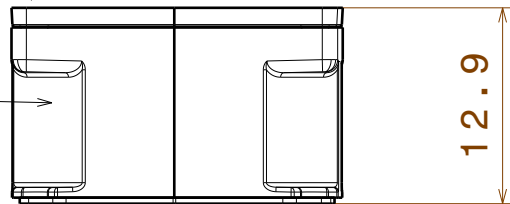
A



C10519_Rose-SS lens

C10357_NIS036-holder

C10278_Rose-tape



Front view
Scale: 2:1

This drawing is our property.
It can't be reproduced
or communicated without
our written agreement.



L
T
F
F

e
e
i
i
n
n

DRAWING TITLE

Drawing NIS036-2-SS

DRAWN BY

DATE

a

12.8.2011

CHECKED BY

DATE

p

v xxx

DESIGNED BY

DATE

HH

29.05.2007

SIZE

A4

DRAWING NUMBER

CA10594

REV

1

SCALE

2:1

WEIGHT (g)

1.5

SHEET

1/1

D

A

4

4

3

3

2

2

1

1