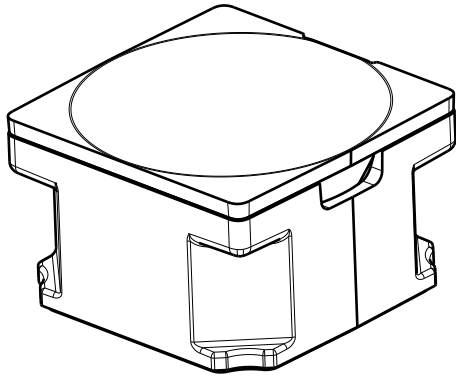


D

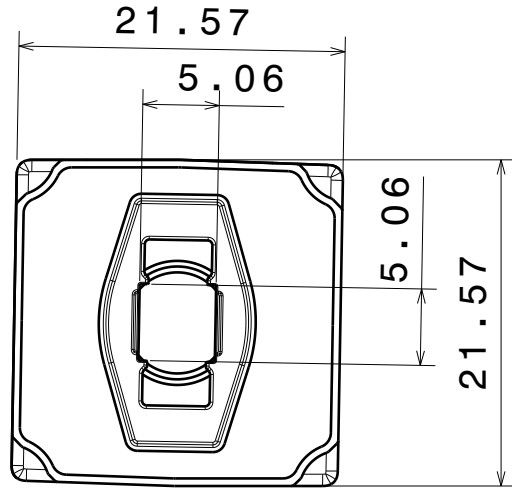
C

B

A



Isometric view

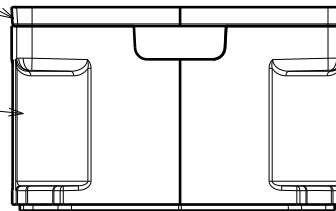


Bottom view

C10520 ROSE-RS

C10498 ROSE-HLD-N83-WHT

C10278 Rose-tape



Front view

This drawing is our property.
It can't be reproduced
or communicated without
our written agreement.



L
T
F
F

e
e
i
i
n
n

d

DRAWING TITLE

CA10610_NIS83-MX-2-RS

DRAWN BY

DATE

a

28.9.2011

CHECKED BY

DATE

p

-

SIZE

DRAWING NUMBER

A4

CA10610

REV

001

DESIGNED BY

DATE

HH

29.05.2007

SCALE

2:1

WEIGHT (g)

1.5

SHEET

1/1

D

A

4

4

3

3

2

2

1

1