

D

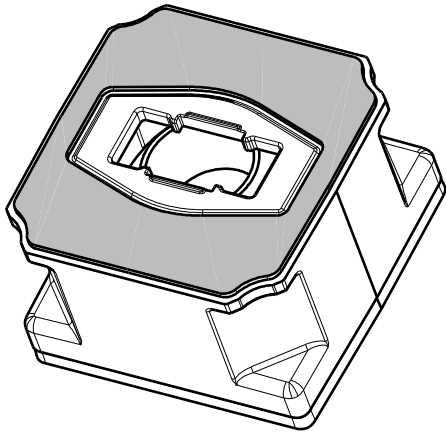
C

B

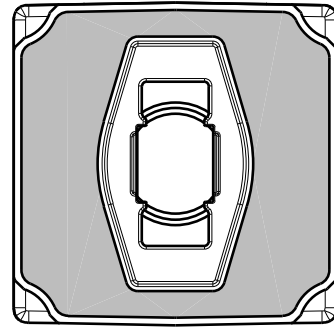
A

4

4



Isometric view

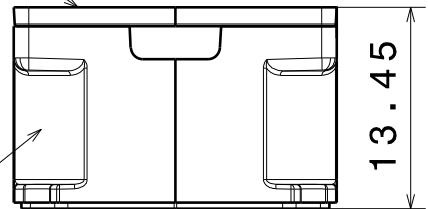


Bottom view

Lens: C10521_Rose-0

Holder: C12121_Rose Holder 083-Black

Tape: C10278_Tape Rose



13.45

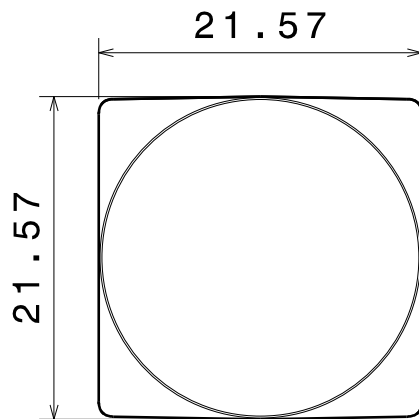
Front view

3

3

2

2



21.57

21.57

Top view

MATERIALS
 LENS: PMMA
 HOLDER: PC BLACK
 TAPE: PU foam

This drawing is our property.
 It can't be reproduced
 or communicated without
 our written agreement.



Ledil Oy
 Tehdaskatu 13
 FIN-24100 SALO
 Finland

DRAWING TITLE

Drawing CA12125_NIS83-2-0 Assembly

DRAWN BY

mav

DATE

21.04.2011

CHECKED BY

hh

DATE

21.04.2011

SIZE

A4

DRAWING NUMBER

CA12125

REV

1

DESIGNED BY

HH

DATE

31.1.2007

SCALE

2:1

WEIGHT (g)

4.5

SHEET

1/1

1

1

D

A