

D

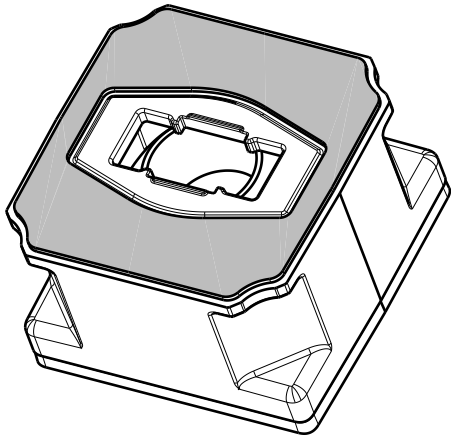
C

B

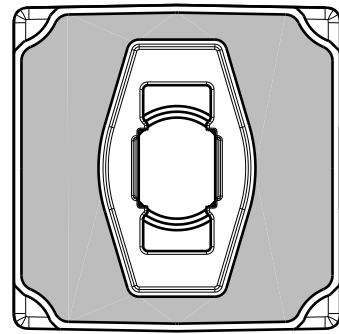
A

4

4



Isometric view

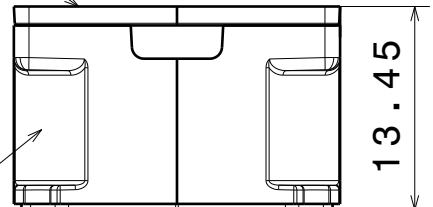


Bottom view

Lens: C11541_Rose2-M

Holder: C12121_Rose Holder 083-Black

Tape: C10278_Tape Rose



13.45

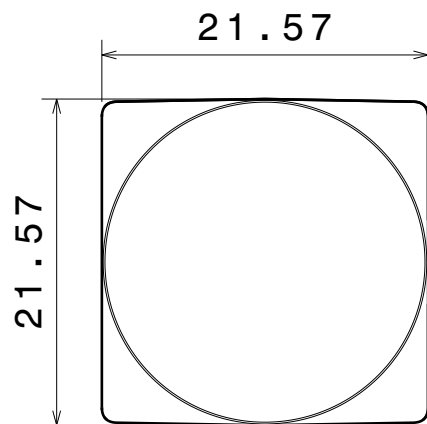
Front view

3

3

2

2



21.57

21.57

Top view

MATERIALS
 LENS: PMMA
 HOLDER: PC BLACK
 TAPE: PU foam

This drawing is our property.
 It can't be reproduced
 or communicated without
 our written agreement.



L
T
F
F

e
e
i
i
N
n

d
h

DRAWING TITLE

CA12126_NIS83-2-M

DRAWN BY

DATE

m

21.04.2011

CHECKED BY

DATE

h

h

21.04.2011

SIZE

A4

DRAWING NUMBER

CA12126

REV

001

DESIGNED BY

DATE

HH

31.1.2007

SCALE

2:1

WEIGHT (g)

4.5

SHEET

1/1

D

A

1

1