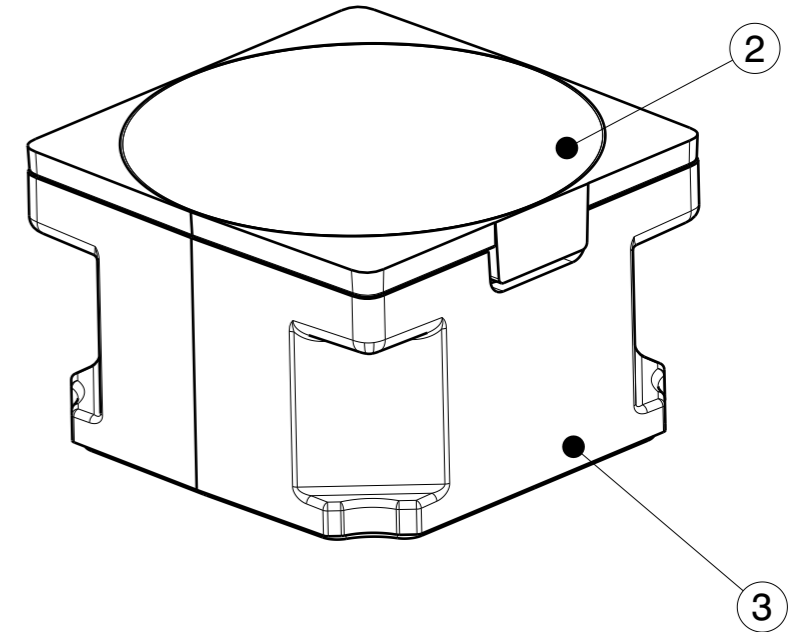
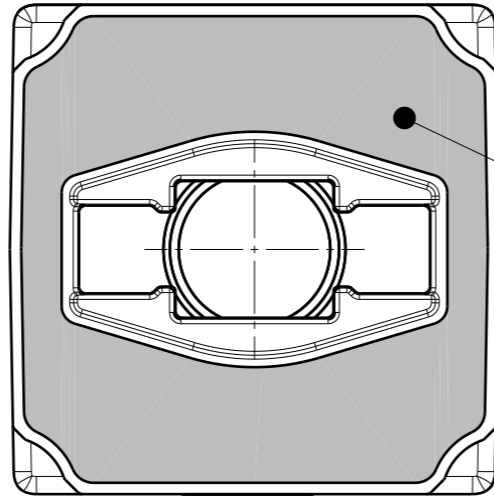
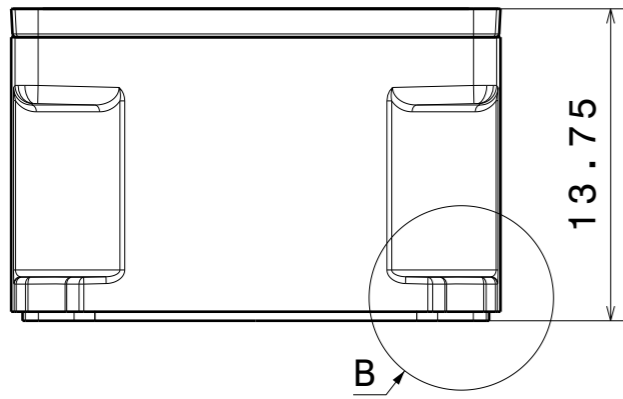


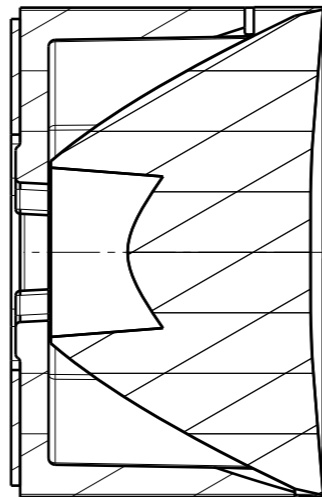
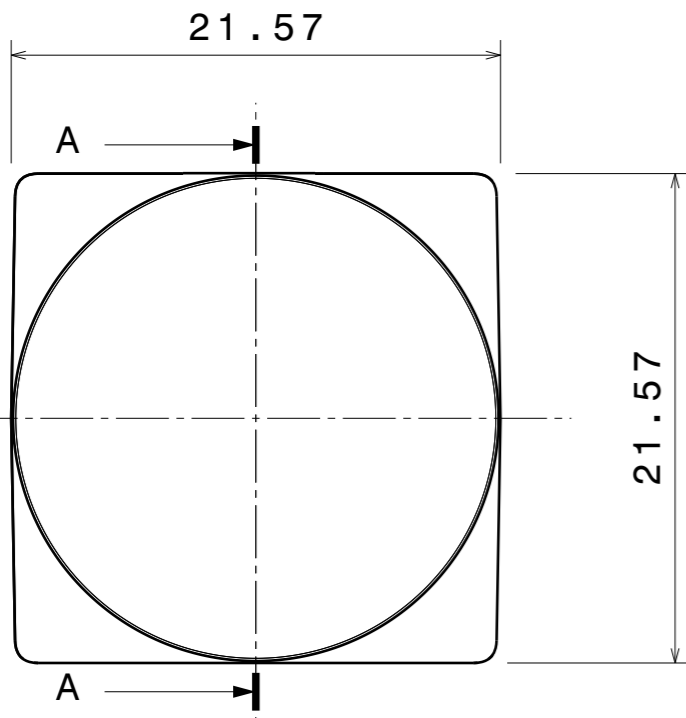
H G F E D C B A

4

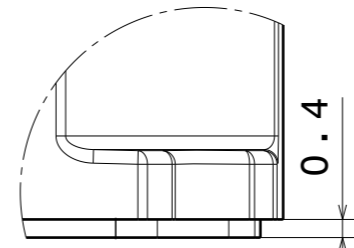


Isometric view

3



Section view A-A
Scale: 3:1



Detail B
Scale: 6:1

2

2

INDEX	PART NO	DESCRIPTION	MATERIAL	COLOUR
1	F14629	ROSE-TAPE	PU 2-sided foam tape	adhesive
2	F10280	ROSE A-A-D	PC Lexan 123R	clear
3	F10287	ROSE-HLD-A	PC Lexan 123R	white

LEGEND

1	Inspectional dimensions marked with:
2	See CAD file for detailed geometry information. Surface finishing markings are only shown in drawing level.
Surface finish:	-
Finish specifications:	-

Tolerances if not otherwise shown
According to DIN ISO 2768-1
Linear measures:
Up to 30mm class F, otherwise class M.
According to DIN ISO 2768-2
Form and position: class K
Control for SPC marked dimensions.

LEDiL LediL Oy
Salorankatu 10
FIN 24240 SALO
Finland

THIRD ANGLE PROJECTION:

DRAWING TITLE
FA10300_OSS-D

DRAWN BY
lauri.stenberg
DATE
21.10.2014

CHECKED BY
DATE

DESIGNED BY
pasi.vallevuori
DATE

SIZE	PART NUMBER	REV
A3	FA10300	1

LEDiL PROPRIETARY This drawing is the property of LEDiL Oy. It may not be reproduced, copied or communicated without a written agreement with LEDiL Oy.

SCALE	3:1	WEIGHT	7,31 g	SHEET	1/1
-------	-----	--------	--------	-------	-----

H G B A

1

1