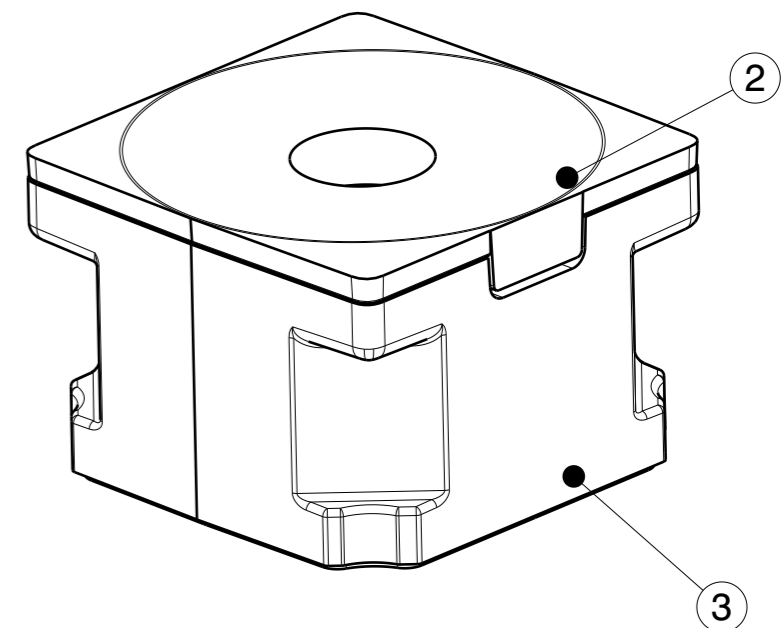
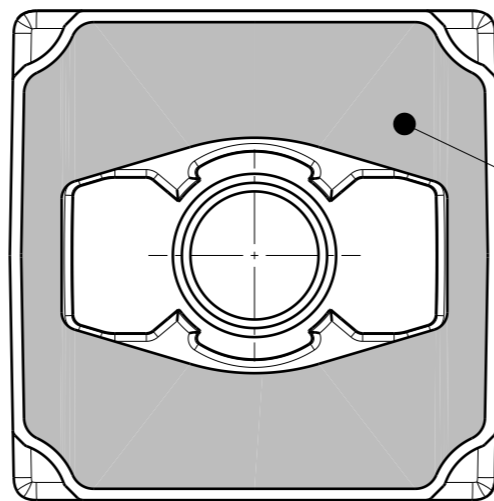
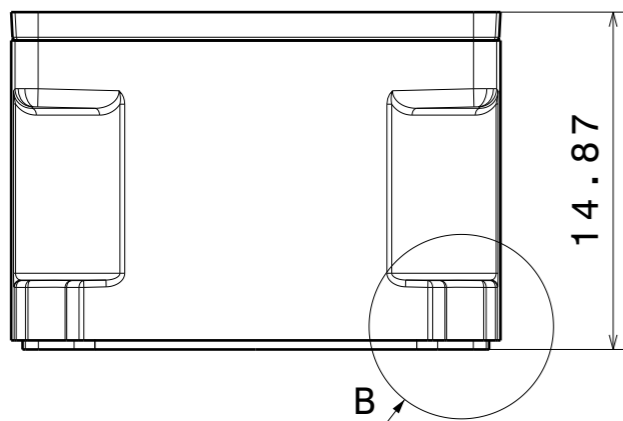
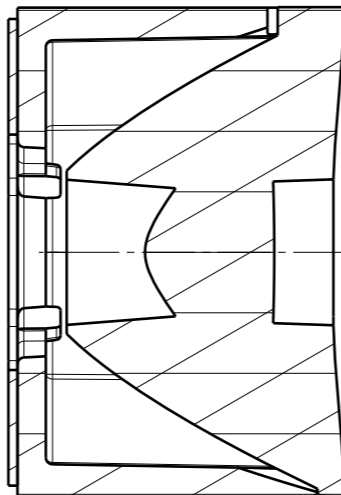
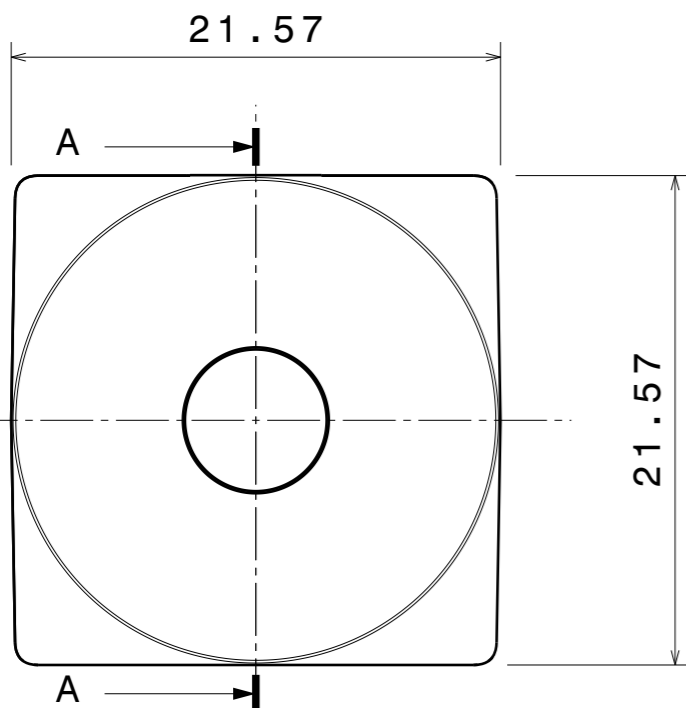


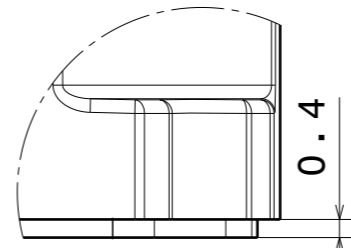
H G F E D C B A



Isometric view



Section view A-A  
Scale: 3:1



Detail B  
Scale: 6:1

INDEX	PART NO	DESCRIPTION	MATERIAL	COLOUR
1	F14629	ROSE-TAPE	PU 2-sided foam tape	adhesive
2	F10283	ROSE-B-B-S	PC Lexan 123R	clear
3	F10290	ROSE-HLD-D	PC Lexan 123R	black

**LEGEND**

1	Inspectional dimensions marked with:
2	See CAD file for detailed geometry information. Surface finishing markings are only shown in drawing level.
Surface finish:	-
Finish specifications:	-

Tolerances if not otherwise shown  
According to DIN ISO 2768-1  
Linear measures:  
Up to 30mm class F, otherwise class M.  
According to DIN ISO 2768-2  
Form and position: class K  
Control for SPC marked dimensions.

**LEDiL** LediL Oy  
Salorankatu 10  
FIN 24240 SALO  
Finland

THIRD ANGLE PROJECTION:

DRAWING TITLE  
**FA10311\_SSS-RS**

DRAWN BY  
**lauri.stenberg**  
DATE  
22.10.2014

CHECKED BY  
DATE

SIZE	PART NUMBER	REV
<b>A3</b>	<b>FA10311</b>	<b>1</b>

**LEDiL PROPRIETARY** This drawing is the property of LEDiL Oy. It may not be reproduced, copied or communicated without a written agreement with LEDiL Oy.

DESIGNED BY  
**pasi.vallevuori**  
DATE

SCALE	3:1	WEIGHT	4,72 g	SHEET	1/1
-------	-----	--------	--------	-------	-----

H G B A